



Druckluftpistole

Bezeichnung

Sulzer Mixpac DP2X 400

Einsatzbeispiele

- Dosierung von 400 ml 2 : 1 side.by.side-Kartuschen



Bedienungsanleitung / CE-Konformitätserklärung

Bedienungsanleitung und CE-Konformitätserklärung siehe Anhang.

Anwendungshinweise

Die Dosierpistole darf nicht in Anlagen verbaut werden.

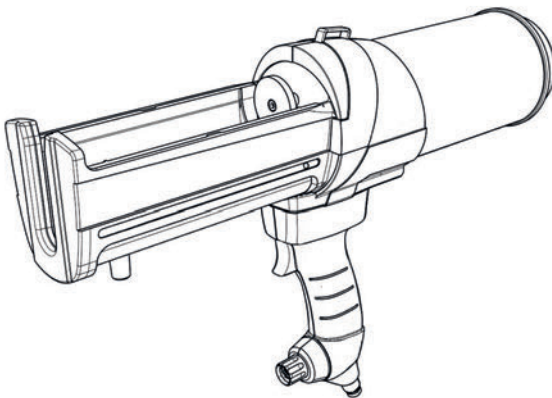


- EN - Instruction handbook**
- DE - Betriebsanleitung**
- FR - Manuel d'instructions**
- IT - Manuale di istruzioni**
- ES - Manual de instrucciones**
- PT - Manual de instruções**
- ZH - 使用说明书**

Sulzer Mixpac™ DP2X 200

Sulzer Mixpac™ DP2X 400

Pneumatic dispensers



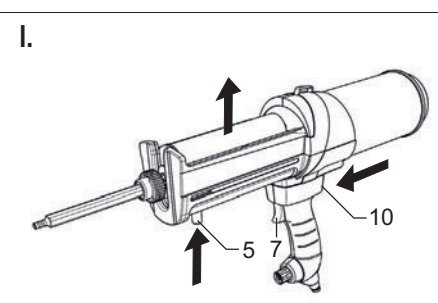
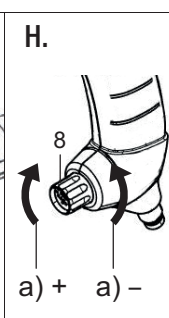
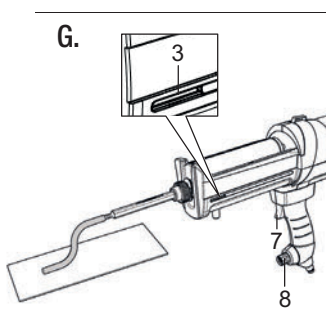
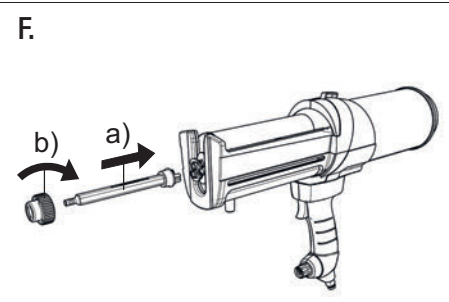
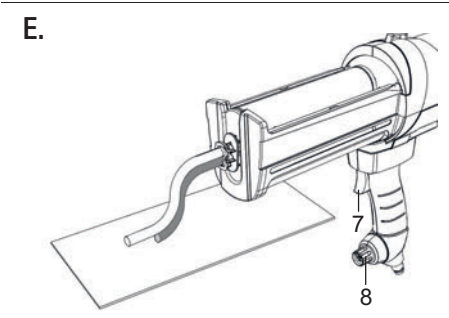
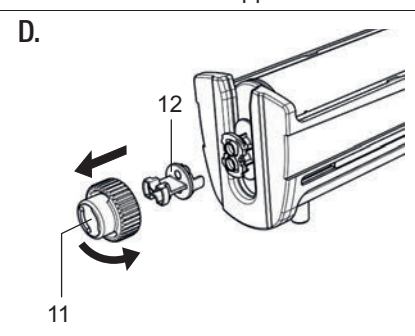
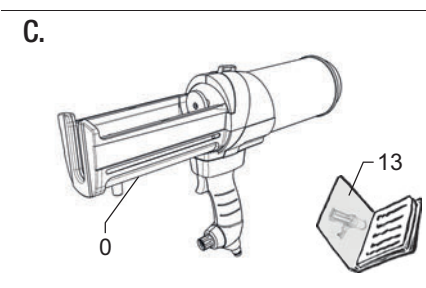
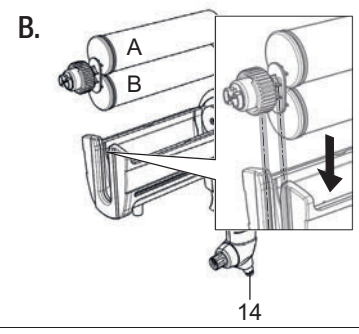
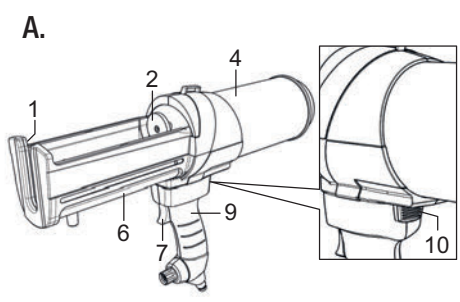


TABLE OF CONTENTS

1) General	2	10) Technical data	8
Applicable standards	2	11) Pneumatic diagram	9
Copyright	2		
Guarantee	2		
Typeplate and CE mark	2		
Additional system documentation	2		
2) Safety regulations	2		
Symbols in the instruction handbook	2		
Safety instructions that must be strictly complied with:	3		
Use in accordance to the instructions	4		
Use not in accordance to the instructions	4		
3) Scope of delivery	5		
4) Product overview	5		
Safety instructions stickers	5		
Variants / type designations	5		
5) Functional description	5		
6) Preparing the dispenser for use	5		
Procedure	5		
7) Operation	6		
Inserting the cartridge	6		
Connect the dispenser to the compressed air supply	6		
Leveling the cartridge pistons	6		
Fitting the mixer	6		
Dispensing the material	6		
Removing the cartridge	6		
Removing and replacing cartridge holder and plunger discs	6		
8) Troubleshooting	7		
9) Maintenance and repair	8		
Notices	8		

1) GENERAL

The original instruction handbook was compiled in English. The other languages are based upon the original version.

Applicable standards

- 2006/42/EC: Machinery Directive
- EN ISO 12100:2010
Safety of machinery – general principles for design – risk assessment and risk reduction
- EN ISO 4414:2010
Pneumatic fluid power – General rules & safety requirements for systems and their safety

Copyright

All rights reserved. This manual may not be copied either in part or as a whole nor reproduced in an electronic form without the previous written permission of the manufacturer.

Guarantee

The manufacturer grants 24 months guarantee from the date of delivery of the dispenser. Wearing parts are excluded from the guarantee. Modifications to the device as well as repair and service work may only be carried out by the manufacturer or his service partner, otherwise the warranty and liability rights are rendered invalid.

Typeplate and CE mark

MIXPAC™
DP2X 200

Sulzer Mixpac (UK) Ltd
1 Tealgate, Charnham
Park, Hungerford,
Berkshire.
RG17 0YT United Kingdom
Phone: +44 (0)1488 647800



Serial Number: DP2X2 XXXXXX XXXX
YOM:
Made in U K
Max Input Pressure: 1000 KPa (10bar)

MIXPAC™
DP2X 400

Sulzer Mixpac (UK) Ltd
1 Tealgate, Charnham
Park, Hungerford,
Berkshire.
RG17 0YT United Kingdom
Phone: +44 (0)1488 647800



Serial Number: DP2X4 XXXXXX XXXX
YOM:
Made in U K
Max Input Pressure: 1000 KPa (10bar)

Additional system documentation

You can find additional information on our website at www.sulzer.com.

2) SAFETY REGULATIONS



Ensure that the instruction handbook is always easily accessible for users.









We reserve the right to make changes as the result of technical modifications.




Read this instruction handbook through carefully! Correct function and operational safety can only be guaranteed when the users are familiar with and comply with all safety regulations in this instruction handbook.

Symbols in the instruction handbook

Symbol	Meaning
	INFORMATION Information on assembly, operation or maintenance.
	Possibly dangerous situation. If this danger is not avoided, death or very serious, irreversible injuries can result.
	Possibly dangerous situation. If this danger is not avoided, slight or minor irreversible injuries can result.
	Situation that could cause damage to equipment.
	Generally dangerous situation.
	Risk of explosion
	Dangers/hazards that may result from open fire

Symbol	Meaning
	Dangers/hazards that may result from flying parts.
	Dangers that may result from trapping of fingers or the entire hand.
	Always read the instruction handbook before using the product.
	Dangers/hazards that may result from opening the device. Never open the device; for maintenance and repair work.
	Persons using the dispenser must wear protective gloves during operation of the device.
	WEAR PROTECTIVE GOGGLES DURING USE AS WELL AS VICINITY Persons using the dispenser, as well as any persons in the vicinity, must wear protective goggles during operation of the device. Non-compliance can result in serious injury
	CE The dispenser bears the CE mark in compliance with the respective European directives.
	Capable of being recycled.

 The following general safety instructions inform you about the possible residual dangers that exist even when the device is used in accordance to the instructions, or dangers that may arise unexpectedly.

A – standard use
B – special use
C – local requirements
D – unexpected problem

In addition, the special safety instructions must be complied with that are given directly in the respective situations.

Furthermore the local statutory regulations on accident prevention and environmental protection applicable at the operating site must be complied with.

The dispenser may not be used before the operating sequence and the instructions contained in this instruction handbook have been read and understood. The device works at a high pressure, see "10) Technical data" on page 8.

If these instructions are not observed, high pressures can be accidentally discharged from the dispenser or the dispenser may burst, resulting in serious injury to the user or persons in its vicinity and also in damage to equipment.

Safety instructions that must be strictly complied with:



⚠️ WARNING Risk of injury and accidents in the event of non-compliance with the safety regulations

► All safety regulations must be complied with; the manufacturer is not liable for any damage resulting from non-observance of safety regulations!



⚠️ WARNING Risk of injury due to incorrect use, not wearing the personal protection equipment.

► During use, all users and all persons in the vicinity must wear protective goggles and safety gloves to prevent skin contact with the dispensed material.

- ▶ The user is not permitted to point the cartridge outlet/mixing tip at living beings or objects during use.
- ▶ Observe the safety instructions on the cartridge label.



⚠ WARNING Risk of tripping over the compressed air hose / due to lack of cleanliness at the workplace!

- ▶ Always ensure that the workplace is clean and tidy.
- ▶ Lay compressed air hoses so that they do not create a tripping hazard for the operator or bystanders.



⚠ WARNING Explosion and fire hazard

- ▶ Never use the device near sources of ignition or energy sources that constitute a potential risk of combustion/explosion.
 - The pneumatic driving unit (refer to item 4 in figure {A} on page II) may never be opened or removed.
- The dispenser must be handled carefully. The dispenser must be stored at a cool, dry place. Refer to "10) Technical data" on page 8. The dispenser must be transported carefully. Shocks should be avoided as far as possible. Never drop the dispenser onto the floor or workbench. Prevent knocks at the workplace.
- It is not permitted to remove, circumvent, bridge or take the safety devices out of operation when the dispenser is in use.
- Always comply with the warning and information signs on the device. These warning and information signs should never be removed. They must be replaced immediately if they become detached or are illegible.
- The integrated pressure regulator valve should never be removed, modified or manipulated. Pressure limits must be strictly adhered to.
- Before usage, always check the dispenser for any visible signs of damage and faults. Only use the dispenser when it is in usable condition. If you are unsure of the usability of the dispenser or if signs of breakage or other damage become recognizable, stop using the device immediately. Send the device to the manufacturer for inspection and repair (refer to the address list at the back).

- Always keep the dispenser clean to prevent functional fault or injury.
- Never attempt to make any repairs or modifications to the dispenser yourself. Maintenance and repairs must be carried out exclusively by qualified specialist personnel. This work may never be carried out when the dispenser is connected to the compressed air supply.
- Take care when connecting and removing compressed air hoses.
- Only original accessories of Sulzer Mixpac may be used. When using accessories of other manufacturers, all warranty rights towards the manufacturer are rendered invalid and malfunctions or accidents may occur.



Manipulations or modifications to the device by persons not authorized by the manufacturer as well as non-compliance with the safety regulations contained in the instruction handbook are dangerous and can cause accidents with serious injury and/or damage to materials.

Use in accordance to the instructions

The hand held dispenser was developed for mixing and dispensing materials of various combinations. Use in accordance with the intended purpose requires compliance with the instructions in the instruction handbook. The specifications in Chapter see "10) Technical data" on page 8 apply as the binding limits for use and technical data of the device.

Use not in accordance to the instructions

These include:

- Any applications that deviate from the applications listed in Chapter «Use in accordance to the instructions».
- Use of the device without appropriate instruction
- Removing the warning plates on the device
- Careless handling near open fire or energy sources
- Changes to the device without the written permission of the manufacturer

- Use of cartridges or spare parts of a different manufacturer without written consent of the manufacturer



⚠ WARNING Risk of injury and accidents arising from use that is not in accordance with its intended purpose

▶ The manufacturer is not liable for damage resulting from non-observance of the intended purpose

3) SCOPE OF DELIVERY

Refer to figure **{C}** on page II:

- 0 Dispenser (fitted with cartridge holder & plungers)
- 13 Instruction handbook

4) PRODUCT OVERVIEW

Refer to the figures **{A}** to **{I}** on page II:

- 1 Cartridge guide
 - 2 Plunger discs*
 - 3 Dispense volume indicator
 - 4 Pneumatic drive unit
 - 5 Cartridge ejector button
 - 6 Cartridge holder*
 - 7 Trigger
 - 8 Pressure regulation valve
 - 9 Handle
 - 10 Retract Button
 - 11 Retaining Nut
 - 12 Nose Plug
 - 13 Instruction handbook
 - 14 Compressed air connection
- * available as a spare part

Safety instructions stickers



Variants / type designations

The versions of the DP dispenser are listed in the table below:

Type	Cylinder Ø	Cartridge volume	Ratios
DP2X-200	70 mm	200 ml	1:1 / 2:1 /
DP2X-400	100 mm	400 ml	4:1 / 10:1

5) FUNCTIONAL DESCRIPTION

Refer to the figures **{A}** to **{I}** on page II:

The air pressure in the pneumatic circuit is lowered by the pressure regulation valve (8). Air Pressure drives a cylinder piston which moves the mounted plungers (2) into the cartridge tubes and forces material into the static mixer.

6) PREPARING THE DISPENSER FOR USE

Procedure

Refer to the figure **{A}** on page II:

1. Install desired ¼" NPTF or BSPPF quick-release coupling (not included) using two wrenches to tighten.
2. Connect dispenser to compressed air line and verify connection for air leaks. May need to tighten connection if leaks are discovered.

7) OPERATION

Inserting the cartridge

Refer to figure {B} on page II:



CAUTION Risk of crushing by extending plunger!

1. Always push the cartridge with different volume ratios with the higher volume (A-side) upwards into the guides (1) and press downwards until it locks into place.

Connect the dispenser to the compressed air supply

NOTICE Risk of damage due to incorrect compressed air supply!

► Observe the maximum supply pressure of the compressed air supply. Refer to Chapter "10) Technical data" on page 8.

1. Connect the compressed air hose onto the compressed air inlet with the quick-release coupling.

Leveling the cartridge pistons

Refer to figures {D} and {E} on page II:

1. Remove the retaining nut (11) and nose plug by turning it by 120° counter-clockwise.
2. Set the pressure regulation valve (8) to the minimum discharge quantity.
3. Press the trigger (7) until both components are evenly pressed out of the cartridge.

Fitting the mixer

Refer to figure {F} on page II:

1. Fit the mixer (a) and secure in place by using the retaining nut on the cartridge outlet (b).

Dispensing the material

Refer to figures {G} and {H} on page II:

1. Press the trigger (7). Dispensing starts and the red dispense volume indicator (3) moves forward. When the trigger (7) is released, dispensing stops.
2. The dispensed volume flow-rate can be controlled with the pressure regulation valve (8).

Removing the cartridge

Refer to figure {I} on page II:

1. Release the trigger (7) and press the retract button (10) until the plungers have moved to the rear stop.
2. Using the cartridge ejector button (5), press the cartridge out of the cartridge holder and remove the cartridge upwards.



Dispose of the cartridge and mixer in accordance with the adhesive / sealant manufacturer's instructions.

Removing and replacing cartridge holder and plunger discs

1. Disconnect dispenser from compressed air supply.
2. Squeeze sides of cartridge holder (6) and remove from top of the dispenser.
3. Remove and replace plunger discs (2) using 4 mm hex key. Smaller plunger disk is installed on the lower rod closest to handle (9).
4. Install new cartridge holder (6) from the top of the dispenser until click. Cartridge ejector button (5) should be closest to cartridge guide (1).
5. Re-connect compressed air supply.

8) TROUBLESHOOTING

No.	Fault	Cause	Remedy
1	Plunger discs cannot enter the cartridge	<ul style="list-style-type: none"> • Cartridge not fully inserted in cartridge holder • Foreign matter in cartridge guide • Wrong diameter of plunger discs installed 	<ul style="list-style-type: none"> • Check that the correct cartridge holder is installed and is not damaged. Push cartridge fully down into the cartridge sleeve. • Remove foreign matter from cartridge guide (do not use sharp tools). • Check the correct diameter of plunger discs. Change plunger discs if necessary.
2	Cartridge cannot be removed from dispenser	<ul style="list-style-type: none"> • Plunger discs are still in position inside the cartridge 	<ul style="list-style-type: none"> • Fully retract the plungers by using the retract button (check dispense volume indicator).
3	Dispensing is interrupted	<ul style="list-style-type: none"> • Compressed air supply has been interrupted 	<ul style="list-style-type: none"> • Check compressed air supply pressure. Check connection to dispenser.
4	Unable to discharge material	<ul style="list-style-type: none"> • Material has cured in the mixer • Pressure not high enough 	<ul style="list-style-type: none"> • Replace the mixer. Refer to mixer-open-time in technical data sheet of materials to be dispensed. • Gradually increase the pressure by turning the pressure regulation valve.
5	Leaking air noise	<ul style="list-style-type: none"> • Inlet pressure too high – safety valve blowing off • Leakage at compressed air connection • Leakage from handle 	<ul style="list-style-type: none"> • Check and reduce inlet pressure to adequate level. • Check and tighten the adapter. • If the source of air leakage is inside the handle please send the device to the manufacturer or authorized service station for inspection.
6	Uneven dispensing speed	<ul style="list-style-type: none"> • Foreign matter in driving unit / damaged sealing 	<ul style="list-style-type: none"> • Send device to manufacturer or authorized service station for inspection (never use solvents to clean the air path).

9) MAINTENANCE AND REPAIR

10) TECHNICAL DATA

Notices



All maintenance and repair may only be carried out by sites authorized by the manufacturer and exclusively by qualified and suitably trained personnel (refer to the address list at the back).



⚠ WARNING Risk of injury due to accidental actuation of the dispenser and/or flying device components!

► Always disconnect the compressed air supply from the dispenser during maintenance.



⚠ CAUTION Risk of injury from incorrect maintenance and repair!

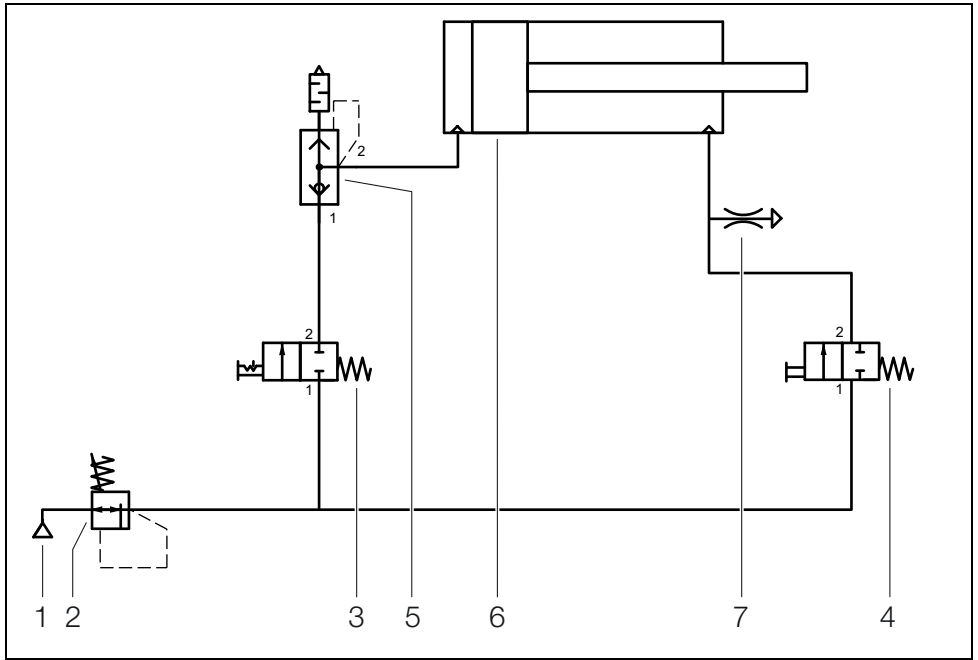
► The pneumatic drive unit (refer to item 4 in figure {A} on page II) may never be opened. If it is necessary to service or repair the pneumatic driving unit, please contact an authorized Sulzer-Mixpac service center (refer to the list of addresses at the back).

NOTICE Risk of damage due to incorrect maintenance and cleaning!

► Always keep the dispenser clean.
► Never use any corrosive cleaning agents for cleaning the surface of the device (do not use products containing silicone).

Operating pressure	680 kPa (6.8 bar) (98 psi) max.
Compressed air supply	1000 kPa (10 bar) 145 PSI
Compressed air quality	ISO 8573-1:2010 [2:4:2]
Sound level	83 dB
Recommended operating temperature	+5°C to +40°C
Relative air humidity	30% to 80% RH (non-condensing)
Transport and storage temperature	0°C to +40°C
Pressure adjustment	infinitely variable
Weight	DP2X-200: 1.7 kg DP2X-400: 2.5 kg

11) PNEUMATIC DIAGRAM



- 1 Compressed air supply 1000 kPa max.
- 2 Regulator valve 680 kPa
- 3 Push switch, cylinder forwards
- 4 Push switch, cylinder backwards
- 5 Quick exhaust with silencer (integrated into the cylinder)
- 6 Pneumatic Drive Unit
- 7 Leakage

INHALTSVERZEICHNIS

1) Allgemeines	2	10) Technische Daten	8
Angewandte Normen	2	11) Pneumatikschema	9
Urheberrecht	2		
Garantiebedingungen	2		
Typenschild und CE-Kennzeichen	2		
Zusätzliche Systemdokumentation	2		
2) Sicherheitsvorschriften	2		
Symbole in dieser Betriebsanleitung	2		
Sicherheitshinweise, die strikt zu befolgen sind	3		
Bestimmungsgemäße Verwendung	4		
Nicht bestimmungsgemäße Verwendung	4		
3) Lieferumfang	5		
4) Produktübersicht	5		
Sicherheitsaufkleber	5		
Varianten/Typenbezeichnungen	5		
5) Funktionsbeschreibung	5		
6) Austraggerät für Betrieb vorbereiten ..	5		
Vorgehensweise	5		
7) Betrieb	6		
Kartusche einsetzen	6		
Austraggerät an die Druckluftzufuhr anschiessen	6		
Kartuschenkolben nivellieren	6		
Mischer anbringen	6		
Material austragen	6		
Kartusche entfernen	6		
Kartuschenhalter und Stößel-Scheiben entfernen und austauschen	6		
8) Störungsbehebung	7		
9) Wartung und Reparatur	8		
Hinweise	8		

1) ALLGEMEINES

Die Originalbetriebsanleitung ist in englischer Sprache verfasst. Alle anderen Sprachen sind davon abgeleitet.

Angewandte Normen

- 2006/42/EC: Maschinenrichtlinie
- EN ISO 12100:2010
Sicherheit von Maschinen - Allgemeine Gestaltungsleitsätze - Risikobeurteilung und Risikominderung
- EN ISO 4414:2010
Fluidtechnik - Allgemeine Regeln und sicherheitstechnische Anforderungen an Pneumatikanlagen und deren Bauteile

Urheberrecht

Alle Rechte vorbehalten. Diese Betriebsanleitung darf ohne vorherige schriftliche Genehmigung des Herstellers weder vollständig noch teilweise kopiert oder in elektronischer Form reproduziert werden.

Garantiebedingungen


Der Hersteller gewährt ab Lieferung des Austraggeräts 24 Monate Gewährleistung. Verschleisssteile sind davon ausgeschlossen. Änderungen am Gerät, sowie Reparatur- und Wartungsarbeiten dürfen ausschliesslich vom Hersteller oder dessen Servicepartner durchgeführt werden, andernfalls erlischt der Garantie- und Haftungsanspruch.

Typenschild und CE-Kennzeichen

MIXPAC™
DP2X 200

Sulzer Mixpac (UK) Ltd
1 Tealgate, Charnham
Park, Hungerford,
Berkshire.
RG17 0YT United Kingdom
Phone: +44 (0)1488 547800


Serial Number: DP2X4 XXXXXX XXXX
YOM:
Made in U K
Max Input Pressure: 1000 KPa (10bar)



MIXPAC™
DP2X 400

Sulzer Mixpac (UK) Ltd
1 Tealgate, Charnham
Park, Hungerford,
Berkshire.
RG17 0YT United Kingdom
Phone: +44 (0)1488 547800

Serial Number: DP2X4 XXXXXX XXXX
YOM:
Made in U K
Max Input Pressure: 1000 KPa (10bar)



Zusätzliche Systemdokumentation

Weitere Informationen finden Sie auf unserer Website: www.sulzer.com

2) SICHERHEITSVORSCHRIFTEN







Die Betriebsanleitung für den Bediener stets gut zugänglich aufbewahren.

Änderungen infolge technischer Modifikationen vorbehalten.



Lesen Sie diese Betriebsanleitung sorgfältig durch! Einwandfreie Funktion und Betriebssicherheit sind nur dann gewährleistet, wenn die Bediener alle Sicherheitsvorschriften in dieser Betriebsanleitung kennen und beachten.

Symbole in dieser Betriebsanleitung

Symbol	Bedeutung
	INFORMATION Informationen zu Montage, Betrieb oder Wartung.
	Möglicherweise gefährliche Situation. Wenn sie nicht gemieden wird, können Tod oder sehr schwere irreversible Körperverletzungen die Folge sein.
	Möglicherweise gefährliche Situation. Wenn sie nicht gemieden wird, können leichte oder geringfügige irreversible Körperverletzungen die Folge sein.
	Situation, die zu Sachschaden führen könnte.
	Allgemein gefährliche Situation.
	Explosionsgefahr

Symbol	Bedeutung
	Gefahren, die durch offenes Feuer entstehen können.
	Gefahren, die durch umherfliegende Teile entstehen können.
	Gefahren, die durch das Quetschen von Fingern oder der Hand entstehen können.
	Vor der Benutzung des Produktes: Betriebsanleitung lesen
	Gefahren, die durch Öffnen des Geräts entstehen können. Gerät keinesfalls für Wartungs- und Reparaturarbeiten öffnen.
	Personen, die das Austraggerät einsetzen, müssen während des Betriebs des Geräts Schutzhandschuhe tragen.
	Während des Betriebs und in der Nähe des Geräts SCHUTZBRILLE TRAGEN Personen, die das Austraggerät einsetzen, sowie alle in der Nähe befindlichen Personen müssen während des Betriebs des Geräts eine Schutzbrille tragen. Die Nichteinhaltung dieser Hinweise kann zu schweren Körperverletzungen führen.
	CE Das Austraggerät trägt das CE-Kennzeichen in Übereinstimmung mit den entsprechenden europäischen Richtlinien.
	Gerät ist recyclingfähig.



Die folgenden allgemeinen Sicherheitshinweise informieren über mögliche Restgefahren, die trotz bestimmungsgemässer Verwendung des Geräts vorhanden sind oder unerwartet auftreten können.

A – Standardmässige Verwendung

B – Spezielle Verwendung

C – Lokale Anforderungen

D – Unerwartete Probleme

Zusätzlich sind die speziellen Sicherheitshinweise zu beachten, welche direkt bei den entsprechenden Situationen aufgeführt sind.

Des Weiteren sind die lokalen gesetzlichen Vorschriften zu Unfallverhütung und Umweltschutz am Betriebsort des Geräts einzuhalten.

Das Austraggerät darf erst in Betrieb genommen werden, nachdem der Arbeitsablauf und die in dieser Betriebsanleitung enthaltenen Anweisungen sorgfältig gelesen und verstanden wurden. Das Gerät arbeitet mit hohem Druck, siehe "10) Technische Daten" auf Seite 8.

Werden diese Anweisungen nicht befolgt, kann ein unbeabsichtigtes Entweichen hoher Drücke am Austraggerät oder ein Bersten des Austraggeräts zu schweren Verletzungen des Bedieners oder Umstehender und zu Sachschäden führen.

Sicherheitshinweise, die strikt zu befolgen sind:



⚠️ WARNUNG Verletzungs- und Unfallgefahr durch Nichteinhaltung der Sicherheitsvorschriften

► Sämtliche Sicherheitsvorschriften sind einzuhalten, der Hersteller haftet nicht für Schäden, die durch Missachtung von Sicherheitsvorschriften entstanden sind!



⚠️ WARNUNG Gefahr von Körperverletzung aufgrund unsachgemässen Gebrauchs und fehlender persönlicher Schutzausrüstung.

► Während des Betriebs müssen alle Bediener und in der Nähe befindlichen Personen Schutzbrillen und Sicherheitshandschuhe tragen, um zu verhindern, dass das ausgelegene Material mit der Haut Kontakt hat.

- ▶ Der Bediener darf den Kartuschenauslass/die Mischerspitz während des Betriebs in keinem Fall auf Lebewesen oder Objekte richten.
- ▶ Sicherheitshinweise auf dem Etikett der Kartusche beachten.



▲ WARNUNG Stolpergefahr durch Druckluftschlauch/mangelnde Sauberkeit am Arbeitsplatz!

- ▶ Sorgen Sie stets für einen sauberen, aufgeräumten Arbeitsplatz.
- ▶ Druckluftschläuche so verlegen, dass keine Stolpergefahr für den Bediener oder Dritte entsteht.



▲ WARNUNG Explosions- und Brandgefahr

- ▶ Gerät nicht in der Nähe von Zündquellen oder Energiequellen verwenden, die ein potenzielles Risiko für Entzündung/Explosion darstellen.
- Die pneumatische Antriebseinheit (siehe Pos. 4 in Abbildung **{A}** auf Seite II) darf keinesfalls geöffnet oder entfernt werden.
- Das Austraggerät ist sorgfältig zu handhaben. Das Austraggerät ist an einem kühlen, trockenen Ort zu lagern. Siehe "10 Technische Daten" auf Seite 8. Das Austraggerät muss vorsichtig transportiert werden. Erschütterungen sind möglichst zu vermeiden. Austraggerät nicht auf den Boden oder die Werkbank fallen lassen. Stöße am Arbeitsplatz vermeiden.
- Sicherheitsvorrichtungen dürfen während der Benutzung des Austraggeräts nicht entfernt, umgangen, überbrückt oder ausser Betrieb gesetzt werden.
- Die Warn- und Hinweisschilder auf dem Gerät sind stets zu beachten. Diese Warn- und Hinweisschilder dürfen keinesfalls entfernt werden. Sie sind unverzüglich zu ersetzen, falls sie sich ablösen oder nicht lesbar sind.
- Das interne Druckregelventil darf keinesfalls entfernt, modifiziert oder manipuliert werden. Druckgrenzen sind strikt einzuhalten.
- Vor Inbetriebnahme ist das Austraggerät immer auf sichtbare Anzeichen für Beschädigungen oder Fehler zu überprüfen. Verwenden Sie das Austraggerät nur, wenn es in funktionsfähigem Zustand ist. Bei Zweifel an der Gebrauchsfähigkeit des Austraggeräts, Anzeichen von Brüchen oder anderen Schä-

den, Nutzung unverzüglich einstellen. Gerät an den Hersteller zur Überprüfung und Reparatur senden (siehe Adressliste auf der Rückseite).

- Austraggerät stets sauber halten, um Funktionsstörungen oder Verletzungen zu vermeiden.
- Keine eigenen Reparaturversuche oder Änderungen am Austraggerät vornehmen. Wartungs- und Reparaturarbeiten dürfen ausschliesslich von qualifiziertem Fachpersonal durchgeführt werden. Diese Arbeiten dürfen keinesfalls vorgenommen werden, wenn das Austraggerät mit der Druckluftzufuhr verbunden ist.
- Vorsicht beim Anschliessen und Entfernen von Druckluftschläuchen.
- Es darf nur Originalzubehör von Sulzer Mixpac verwendet werden. Bei Verwendung von Zubehörteilen anderer Hersteller erlöschen alle Garantieansprüche gegenüber dem Hersteller, und es kann zu Fehlfunktionen oder Unfällen kommen.



Manipulationen oder Änderungen am Gerät durch nicht vom Hersteller autorisierte Personen sowie die Nichtbeachtung der in der Betriebsanleitung aufgeführten Sicherheitsvorschriften sind gefährlich und können zu Unfällen mit schwerwiegenden Verletzungen und/oder zu Sachschäden führen.

Bestimmungsgemässe Verwendung

Das Austraggerät wurde als Handgerät für das Mischen und Austragen von Materialien verschiedener Kombinationen entwickelt. Eine bestimmungsgemässe Verwendung setzt die Einhaltung der in der Betriebsanleitung enthaltenen Anweisungen voraus. Die Angaben in Abschnitt siehe "10 Technische Daten" auf Seite 8 gelten als verbindliche Grenzwerte für den Einsatz und als technische Daten des Geräts.

Nicht bestimmungsgemässe Verwendung

Dazu zählen:

- Jegliche Anwendungen, die von den im Abschnitt «Bestimmungsgemässe Verwendung» aufgeführten Anwendungen abweichen.
- Benutzung des Geräts ohne Instruktion
- Entfernen von Warnschildern am Gerät

- Leichtsinniges Hantieren im Bereich von offenem Feuer oder Energiequellen
- Veränderungen am Gerät ohne schriftliche Zustimmung des Herstellers
- Verwendung von Kartuschen oder Ersatzteilen eines anderen Herstellers ohne schriftliche Zustimmung des Herstellers



⚠️ WARNUNG Jegliche nicht bestimmungsgemäße Verwendung birgt das Risiko, dass es zu Körperverletzungen und Unfällen kommt

► Der Hersteller ist für keinerlei Schäden haftbar, die durch Nichtbeachtung der bestimmungsgemässen Verwendung herrühren

3) LIEFERUMFANG

Siehe Abbildung {C} auf Seite II:

- 0 Austraggerät (mit angebrachtem Kartuschenhalter & Stösseln)
- 13 Betriebsanleitung

4) PRODUKTÜBERSICHT

Siehe Abbildungen {A} bis {I} auf Seite II:

- 1 Kartuschenführung
- 2 Stössel-Scheiben*
- 3 Austragsvolumenanzeige
- 4 Pneumatische Antriebseinheit
- 5 Auswertfaste Kartusche
- 6 Kartuschenhalter*
- 7 Abzugshebel
- 8 Druckregelventil
- 9 Haltegriff
- 10 Rückzugstaste
- 11 Sicherungsmutter
- 12 Verschluss
- 13 Betriebsanleitung
- 14 Druckluftanschluss
- * Als Ersatzteil erhältlich

Sicherheitsaufkleber



Varianten/Typenbezeichnungen

Die nachfolgende Tabelle listet die verschiedenen Ausführungen des DP-Austraggeräts auf:

Typ	Zylinder Ø	Kartuschenvolumen	Verhältnisse
DP2X-200	70 mm	200 ml	1:1 / 2:1 /
DP2X-400	100 mm	400 ml	4:1 / 10:1

5) FUNKTIONSBESCHREIBUNG

Siehe Abbildungen {A} bis {I} auf Seite II:

Das Druckregelventil (8) verringert den Luftdruck im Pneumatikkreis. Der Luftdruck treibt einen Zylinderkolben an, der die montierten Stössel (2) in die Kartuschenröhren schiebt und so das Material in den statischen Mischer drückt.

6) AUSTRAGGERÄT FÜR BETRIEB VORBEREITEN

Vorgehensweise

Siehe Abbildung {A} auf Seite II:

1. Installieren Sie die gewünschte ¼" NPTF- oder BSPPF-Schnellverschlusskupplung (nicht im Lieferumfang enthalten), und ziehen Sie sie mithilfe von zwei Schraubenschlüsseln fest.
2. Schliessen Sie das Austraggerät an die Druckluftleitung an, und stellen Sie sicher, dass die Verbindung dicht ist (keine Luft austritt). Sollten Leckagen vorhanden sein, muss die Verbindung möglicherweise fester angezogen werden.

7) BETRIEB

Kartusche einsetzen

Siehe Abbildung {B} auf Seite II:



⚠ VORSICHT Quetschgefahr durch ausfahrenden Stößel!

1. Kartuschen mit unterschiedlichen Volumenverhältnissen immer mit dem grösseren Volumen (A-Seite) nach oben in die Führungen (1) schieben und dann nach unten drücken, bis sie einrasten.

Austraggerät an die Druckluftzufuhr anschliessen

ACHTUNG Beschädigungsgefahr durch falsche Druckluftzufuhr!

► Maximalen Eingangsdruck der Druckluftversorgung beachten. Siehe Kapitel "10 Technische Daten" auf Seite 8.

1. Druckluftschlauch mit der Schnellverschlusskupplung an den Drucklufteinlass anschliessen.

Kartuschenkolben nivellieren

Siehe Abbildungen {D} und {E} auf Seite II:

1. Sicherungsmutter (11) und Verschluss durch Drehen um 120° gegen den Uhrzeigersinn entfernen.
2. Druckregelventil (8) auf die Mindest-Austragsmenge einstellen.
3. Abzugshebel (7) drücken, bis beide Komponenten gleichmässig aus der Kartusche ausgepresst werden.

Mischer anbringen

Siehe Abbildung {F} auf Seite II:

1. Mischer (a) anbringen und mithilfe der Sicherungsmutter auf dem Kartuschenauslass (b) sichern.

Material austragen

Siehe Abbildungen {G} und {H} auf Seite II:

1. Drücken Sie den Abzugshebel (7). Der Austragsvorgang beginnt und die rote Austragsvolumenanzeige (3) bewegt sich vorwärts.
Wenn der Abzugshebel (7) losgelassen wird, stoppt der Austragsvorgang.
2. Der Fluss des Austragsvolumens kann mithilfe des Druckregelventils (8) gesteuert werden.

Kartusche entfernen

Siehe Abbildung {I} auf Seite II:

1. Lösen Sie den Abzugshebel (7), und drücken Sie die Rückzugstaste (10), bis die Stößel zum hinteren Anschlag zurückgefahren sind.
2. Drücken Sie die Kartusche durch Betätigen der Kartuschenauswerftaste (5) aus dem Kartuschenhalter, und entfernen Sie die Kartusche, indem Sie sie nach oben aus dem Gerät herausheben.



Entsorgen Sie Kartusche und Mischer gemäss den Anweisungen auf dem Aufkleber bzw. gemäss den Anweisungen des Dichtungsmittelherstellers.

Kartuschenhalter und Stößel-Scheiben entfernen und austauschen

1. Austraggerät von der Druckluftzufuhr trennen.
2. Die Seiten des Kartuschenhalters (6) zusammendrücken und Kartuschenhalter von oben aus dem Austraggerät entfernen.
3. Stößel-Scheiben (2) mithilfe eines 4-mm-Inbus-schlüssels entfernen und austauschen. Die kleinere Stößel-Scheibe ist auf der unteren Stange montiert, die dem Haltegriff (9) am nächsten ist.
4. Setzen Sie den neuen Kartuschenhalter (6) von oben ein, bis er mit einem Klick einrastet. Die Kartuschenauswerftaste (5) sollte sich am nächsten zur Kartuschenführung (1) befinden.
5. Schliessen Sie die Druckluftzufuhr wieder an.

8) STÖRUNGSBEHEBUNG

Nr.	Störung	Ursache	Behebung
1	Stössel-Scheiben können nicht in die Kartusche ein-fahren	<ul style="list-style-type: none"> • Kartusche nicht vollständig in den Kartuschenhalter eingesetzt • Fremdkörper in der Kartuschenführung • Stössel-Scheiben mit falschem Durchmesser installiert 	<ul style="list-style-type: none"> • Sicherstellen, dass der richtige Kartuschenhalter installiert und nicht beschädigt ist. Kartusche vollständig nach unten in die Kartuschen-schale drücken. • Fremdkörper aus Kartuschenführung entfernen (keine scharfen Werkzeuge verwenden). • Sicherstellen, dass Stössel-Scheiben den korrekten Durchmesser haben. Bei Bedarf Stössel-Scheiben austauschen.
2	Kartusche kann nicht aus Austraggerät entfernt werden	<ul style="list-style-type: none"> • Stössel-Scheiben sind noch immer in der Kartusche in Position 	<ul style="list-style-type: none"> • Stössel mithilfe der Rückzugstaste vollständig zurückziehen (Austragsvolumenanzeige überprüfen).
3	Austragsvorgang wird unterbrochen	<ul style="list-style-type: none"> • Druckluftzufuhr wurde unterbrochen 	<ul style="list-style-type: none"> • Druck der Druckluftzufuhr prüfen. Verbindung zum Austraggerät prüfen.
4	Es kann kein Material ausgetragen werden	<ul style="list-style-type: none"> • Material ist im Mischer ausgehärtet • Druck nicht hoch genug 	<ul style="list-style-type: none"> • Mischer austauschen. Siehe Mischer-Öffnungszeiten im Technischen Datenblatt zu auszutragenden Materialien. • Druck stufenweise durch Drehen des Druckregelventils erhöhen.
5	Geräusch von austretender Luft	<ul style="list-style-type: none"> • Einlassdruck zu hoch – Sicherheitsventil lässt Luft ab • Leckage in Druckluftanschluss • Leckage im Haltegriff 	<ul style="list-style-type: none"> • Einlassdruck prüfen und auf geeignetes Niveau verringern. • Adapter prüfen und festziehen. • Wenn sich die Quelle der Luftleckage im Haltegriff befindet, senden Sie das Gerät bitte an den Hersteller oder eine autorisierte Servicestation zur Prüfung ein.
6	Ungleiche Austraggeschwindigkeit	<ul style="list-style-type: none"> • Fremdkörper in Antriebseinheit / beschädigte Dichtung 	<ul style="list-style-type: none"> • Gerät an Hersteller oder autorisierte Servicestation zur Prüfung einsenden (niemals Lösungsmittel zum Reinigen des Luftwegs verwenden).

9) WARTUNG UND REPARATUR

Hinweise



Wartungs- oder Reparaturarbeiten dürfen nur durch vom Hersteller autorisierte Stellen und ausschliesslich von qualifiziertem und entsprechend geschultem Personal vorgenommen werden (siehe Adressliste auf der Rückseite).



⚠️ WARNUNG Gefahr der Körperverletzung durch zufälliges Betätigen des Austraggeräts und/oder durch umherfliegende Gerätekomponenten!

► Während der Wartungsarbeiten stets das Gerät von der Druckluftzufuhr trennen.



⚠️ VORSICHT Verletzungsgefahr durch unsachgemässe Wartung und Reparatur!

► Die pneumatische Antriebseinheit (siehe Position 4 in Abbildung {A} auf Seite II) darf niemals geöffnet werden. Sollten Wartungs- oder Reparaturarbeiten an der pneumatischen Antriebseinheit notwendig sein, wenden Sie sich bitte an ein autorisiertes Sulzer-Mixpac-Servicecenter (siehe Adressliste auf der Rückseite).

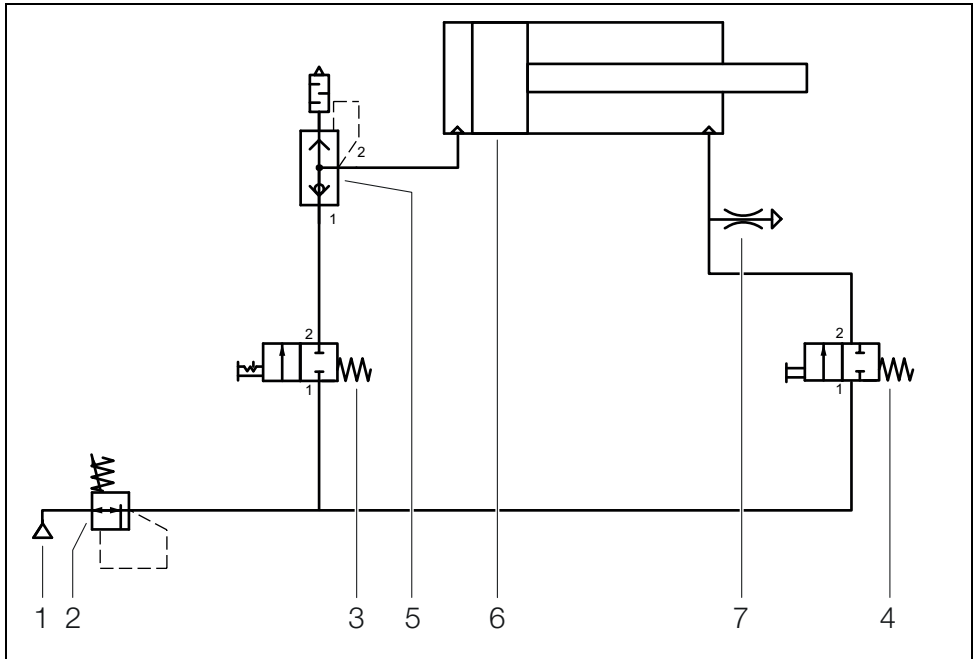
⚠️ ACHTUNG Beschädigungsgefahr durch unsachgemässe Wartung und Reinigung!

► Das Austraggerät stets sauber halten.
► Keine aggressiven Reinigungsmittel zur Reinigung der Geräteoberfläche verwenden (keine silikonhaltigen Pflegemittel).

10) TECHNISCHE DATEN

Betriebsdruck	680 kPa (6,8 bar) (98 psi) max.
Druckluftzufuhr	1000 kPa (10 bar), 145 psi
Qualität Druckluft	ISO 8573-1:2010 [2:4:2]
Schallpegel	83 dB
Empfohlene Betriebstemperatur	+5°C bis +40°C
Relative Luftfeuchtigkeit	30 % bis 80 % rF (kein Kondensat)
Transport- und Lagertemperatur	0 °C bis +40°C
Druckeinstellung	unbegrenzt variierbar
Gewicht	DP2X-200: 1,7 kg DP2X-400: 2,5 kg

11) PNEUMATIKSCHEMA



- 1 Druckluftzufuhr 1000 kPa max.
- 2 Regelventil 680 kPa
- 3 Druckschalter, Zylinder vorwärts
- 4 Druckschalter, Zylinder rückwärts
- 5 Schnellentlüftung mit Schalldämpfer (in Zylinder integriert)
- 6 Pneumatische Antriebseinheit
- 7 Leckage

SOMMAIRE

1) Généralités	2	9) Entretien et réparation	8
Normes applicables	2	Notifications	8
Copyright	2	10) Données techniques	8
Garantie	2	11) Schéma pneumatique	9
Plaque signalétique et marque CE	2		
Autre documentation relative au système	2		
2) Consignes de sécurité	2		
Symboles figurant dans ce manuel d'instructions	2		
Consignes de sécurité qui doivent être strictement respectées.....	3		
Utilisation conforme aux instructions	4		
Utilisation non conforme aux instructions	5		
3) Volume de livraison	5		
4) Vue d'ensemble du produit	5		
Étiquettes de consigne de sécurité	5		
Variantes/désignations du type	5		
5) Description fonctionnelle	5		
6) Préparation du distributeur pour utilisation	5		
Procédure	5		
7) Fonctionnement	6		
Insertion de la cartouche	6		
Raccordement du distributeur à l'alimentation en air comprimé	6		
Mise à niveau des pistons de la cartouche	6		
Installation du mélangeur	6		
Libération du matériau	6		
Retrait de la cartouche.	6		
Retrait et remplacement du logement de cartouche et des plaquettes de poussoir	6		
8) Dépannage	7		

1) GÉNÉRALITÉS

Ce manuel d'instructions a été compilé en anglais. Les traductions sont basées sur cette version originale.

Normes applicables

- 2006/42/CE: directive relative aux machines
- EN ISO 12100:2010
Sécurité des machines – Principes généraux de conception – Appréciation du risque et réduction du risque
- EN ISO 4414:2010
Transmissions pneumatiques - Règles générales et exigences de sécurité pour les systèmes et leurs composants

Copyright

Tous droits réservés. Il est interdit de copier ou de reproduire tout ou partie de ce manuel sous forme électronique, sans l'accord écrit préalable du fabricant.

Garantie

Le fabricant accorde une garantie de 24 mois à partir de la date de livraison du distributeur. Les pièces d'usure sont exclues de la garantie. Seuls le fabricant et son partenaire de service peuvent apporter des modifications à l'appareil ou procéder à des opérations d'entretien et de réparation. Sinon, les droits à la garantie et en matière de responsabilité deviennent caducs.

Plaque signalétique et marque CE

MIXPAC™
DP2X 200

Sulzer Mixpac (UK) Ltd
1 Tealgate, Charnham
Park, Hungerford,
Berkshire.
RG17 0YT United Kingdom
Phone: +44 (0)1488 647800

Serial Number: DP2X2 XXXXXX XXXX
YOM:
Made in U K
Max Input Pressure: 1000 KPa (10bar)



MIXPAC™
DP2X 400

Sulzer Mixpac (UK) Ltd
1 Tealgate, Charnham
Park, Hungerford,
Berkshire.
RG17 0YT United Kingdom
Phone: +44 (0)1488 647800


Serial Number: DP2X4 XXXXXX XXXX
YOM:
Made in U K
Max Input Pressure: 1000 KPa (10bar)




Autre documentation relative au système

D'autres informations sont disponibles sur notre site web à l'adresse www.sulzer.com.



2) CONSIGNES DE SÉCURITÉ

 Veuillez à ce que les utilisateurs aient toujours accès à ce manuel d'instructions.

Nous nous réservons le droit d'y apporter des changements suite à des modifications techniques.

 Lisez attentivement ce manuel d'instructions! Le fonctionnement correct et la sécurité opérationnelle ne peuvent être garantis que si les utilisateurs connaissent et respectent toutes les consignes de sécurité de ce manuel d'instructions.

Symboles figurant dans ce manuel d'instructions

Symbole	Signification
	INFORMATION Information sur le montage, le fonctionnement ou l'entretien.
	Situation potentiellement dangereuse. S'il n'est pas évité, ce danger peut entraîner la mort ou de très graves blessures irréversibles.
	Situation potentiellement dangereuse. S'il n'est pas évité, ce danger peut entraîner des blessures légères irréversibles.
	Situation susceptible d'endommager l'appareil.
	Situation généralement dangereuse.

Symbole	Signification
	Risque d'explosion.
	Dangers/risques qui peuvent provenir de flammes nues.
	Dangers/risques qui peuvent provenir de pièces projetées.
	Dangers qui peuvent provenir d'un pincement des doigts ou de la main entière.
	Lisez toujours ce manuel d'instructions avant d'utiliser l'appareil.
	Dangers/risques qui peuvent provenir de l'ouverture de l'appareil. N'ouvrez jamais l'appareil pour des opérations d'entretien et de réparation.
	Les utilisateurs du distributeur doivent porter des lunettes de protection pendant son fonctionnement.
	<p>PORTEZ DES LUNETTES DE PROTECTION pendant son fonctionnement et à proximité de celui-ci.</p> <p>Les utilisateurs du distributeur, ainsi que toute personne se trouvant à proximité de celui-ci, doivent porter des lunettes de protection pendant son fonctionnement. Le non-respect de cette consigne peut entraîner de graves blessures.</p>
	<p>CE</p> <p>Le distributeur porte la marque CE conformément aux directives européennes respectives.</p>
	Recyclable.



Les consignes de sécurité générales suivantes vous informent des potentiels dangers résiduels qui existent même lorsque l'appareil est utilisé selon les instructions, ou des dangers qui peuvent survenir de façon inattendue.

A – Utilisation standard
 B – Utilisation spécifique
 C – Exigences locales
 D – Problème imprévu

Il faut également respecter les consignes de sécurité spéciales, qui sont données directement dans les situations respectives.

Qui plus est, il faut observer les réglementations statutaires locales sur la prévention des accidents et la protection environnementale applicables sur le site d'utilisation.

Vous devez avoir lu et compris la séquence de fonctionnement et les consignes figurant dans ce manuel d'instructions avant d'utiliser le distributeur. L'appareil fonctionne à haute pression (voir chapitre «10) Données techniques», page 8).

Si ces consignes ne sont pas observées, le distributeur peut accidentellement libérer des pressions élevées ou peut exploser, entraînant de graves blessures pour l'utilisateur ou les personnes à proximité et également un endommagement de l'appareil.

Consignes de sécurité qui doivent être strictement respectées:



⚠️ AVERTISSEMENT Risque de blessure et d'accident en cas de non-respect des consignes de sécurité

► Toutes les consignes de sécurité doivent être observées; le fabricant décline toute responsabilité en cas de dommage causé par le non-respect des consignes de sécurité!



⚠️ AVERTISSEMENT Risque de blessure dû à une utilisation incorrecte, au fait de ne pas porter d'équipement de protection individuel

- ▶ En cours d'utilisation, tous les utilisateurs et toutes les personnes à proximité de l'appareil doivent porter des lunettes et des gants de protection pour éviter tout contact cutané avec le matériau libéré.
- ▶ L'utilisateur ne doit pas orienter la sortie de la cartouche/l'embout de mélange sur des personnes ou des objets en cours d'utilisation.
- ▶ Observez les consignes de sécurité figurant sur l'étiquette de la cartouche.



⚠AVERTISSEMENT Risque de trébuchement sur le tuyau d'air comprimé/dû à un manque de propreté du lieu de travail!

- ▶ Veillez toujours à ce que le lieu de travail soit propre et rangé.
- ▶ Placez les tuyaux d'air comprimé de sorte à ne pas provoquer de risque de trébuchement pour l'utilisateur ou les personnes à proximité de l'appareil.



⚠AVERTISSEMENT Risque d'explosion et d'incendie

- ▶ N'utilisez jamais l'appareil à proximité de sources d'allumage ou de sources d'énergie qui représentent un risque potentiel de combustion/d'explosion.
- L'unité d'entraînement pneumatique (voir élément 4 sur le schéma **{A}** à la page II) ne doit jamais être ouverte ou déposée.
- Le distributeur doit être manipulé avec précaution. Le distributeur doit être rangé dans un endroit frais et sec. Reportez-vous au chapitre «10) Données techniques», page 8. Le distributeur doit être transporté avec précaution. Les chocs doivent être évités autant que possible. Ne laissez jamais tomber le distributeur sur le sol ou le plan de travail. Évitez les chocs sur le lieu de travail.
- Il est interdit d'enlever, de contourner, de ponter ou de mettre hors service les appareils de sécurité lorsque le distributeur est utilisé.
- Respectez toujours les étiquettes d'avertissement et d'information figurant sur l'appareil. Ces étiquettes ne doivent jamais être enlevées. Elles doivent être remplacées immédiatement si elles se sont détachées ou sont illisibles.

- La vanne de régulation de pression intégrée ne doit jamais être enlevée, modifiée ou manipulée. Les limites de pression doivent être scrupuleusement respectées.
- Avant toute utilisation, vérifiez toujours que le distributeur ne présente aucun signe visible de dommages et de défauts. Utilisez le distributeur seulement s'il est en état de fonctionner. Si vous n'êtes pas certain que le distributeur peut être utilisé ou si vous remarquez des signes de rupture ou d'autres dommages, arrêtez immédiatement de l'utiliser. Envoyez l'appareil au fabricant pour inspection et réparation (voir liste d'adresses au verso).
- Maintenez le distributeur propre en permanence pour éviter toute anomalie fonctionnelle ou blessure.
- Ne tentez jamais de réparer ou de modifier vous-même le distributeur. L'entretien et les réparations doivent être effectués exclusivement par un personnel spécialisé qualifié. Ces opérations ne doivent jamais être effectuées lorsque le distributeur est raccordé à l'alimentation en air comprimé.
- Procédez avec prudence au raccordement et au débranchement des tuyaux d'air comprimé.
- Seuls les accessoires d'origine de Sulzer Mixpac peuvent être utilisés. En cas d'utilisation d'accessoires d'autres fabricants, tous les droits à la garantie envers le fabricant deviennent caducs et des dysfonctionnements ou accidents peuvent se produire.



Toute manipulation ou modification de l'appareil par des personnes non autorisées par le fabricant ainsi que le non-respect des consignes de sécurité figurant dans ce manuel d'instructions sont dangereux et peuvent provoquer des accidents avec de graves blessures et/ou des dommages matériels.

Utilisation conforme aux instructions

Le distributeur portable a été développé pour le mélange et la libération de matériaux de diverses combinaisons. L'utilisation aux fins prévues nécessite de se conformer aux instructions de ce manuel. Les spécifications du chapitre «10) Données techniques», page 8 s'appliquent comme limites contraignantes pour l'utilisation et les données techniques de l'appareil.

Utilisation non conforme aux instructions

Ceci inclut:

- Toute application qui ne fait pas partie des applications énumérées à la section «Utilisation conforme aux instructions»
- Utilisation de l'appareil sans instruction adéquate
- Retrait des étiquettes d'avertissement sur l'appareil
- Manipulation sans précaution à proximité de flammes nues ou de sources d'énergie
- Changements apportés à l'appareil sans l'accord écrit du fabricant
- Utilisation de cartouches ou de pièces détachées d'un autre fabricant sans l'accord écrit du fabricant



⚠ AVERTISSEMENT Risque de blessure et d'accident dû à une utilisation non conforme aux fins prévues

- Le fabricant décline toute responsabilité en cas de dommages dus au non-respect des fins prévues.

3) VOLUME DE LIVRAISON

Reportez-vous au schéma **{C}** à la page II:

- 0 Distributeur (équipé d'un logement de cartouche et de poussoirs)
- 13 Manuel d'instructions

4) VUE D'ENSEMBLE DU PRODUIT

Reportez-vous aux schémas **{A}** à **{I}** à la page II:

- 1 Guide de cartouche
- 2 Plaquettes de poussoir*
- 3 Indicateur de volume du distributeur
- 4 Unité d'entraînement pneumatique
- 5 Bouton d'éjection de la cartouche
- 6 Logement de cartouche*
- 7 Gâchette de décharge
- 8 Vanne de régulation de pression
- 9 Poignée
- 10 Bouton de rétraction

- 11 Écrou de retenue
 - 12 Embout de nez
 - 13 Manuel d'instructions
 - 14 Raccord d'air comprimé
- * disponible en pièce détachée

Étiquettes de consigne de sécurité



Variantes/désignations du type

Les versions du distributeur DP sont énumérées dans le tableau ci-dessous:

Type	Ø cylindre	Volume cartouche	Rapports
DP2X-200	70 mm	200 ml	1:1 / 2:1 /
DP2X-400	100 mm	400 ml	4:1 / 10:1

5) DESCRIPTION FONCTIONNELLE

Reportez-vous aux schémas **{A}** à **{I}** à la page II:

La pression d'air dans le circuit pneumatique est diminuée par la vanne de régulation de pression (8). La pression d'air entraîne un piston de cylindre qui déplace les poussoirs (2) dans les tubes de la cartouche et pousse le matériau dans le mélangeur statique.

6) PRÉPARATION DU DISTRIBUTEUR POUR UTILISATION

Procédure

Reportez-vous au schéma **{A}** à la page II:

1. Installez le raccord rapide NPTF ou BSPPF ¼" (non inclus) en utilisant deux clés pour serrer.
2. Branchez le distributeur à la conduite d'air comprimé et vérifiez le branchement pour détecter toute fuite d'air. Si des fuites sont détectées, un serrage du branchement peut s'avérer nécessaire.

7) FONCTIONNEMENT

Insertion de la cartouche

Reportez-vous au schéma **{B}** à la page II:



ATTENTION Risque d'écrasement dû à l'extension du pousoir!

1. Poussez toujours la cartouche avec différents rapports de volume de sorte que le volume le plus élevé (côté A) soit orienté vers le haut dans les guides (1) et enfoncez-la jusqu'à ce qu'elle soit bloquée.

Raccordement du distributeur à l'alimentation en air comprimé

AVIS Risque de dommage dû à une alimentation en air comprimé incorrecte!

► Observez la pression d'alimentation maximale de l'alimentation en air comprimé. Reportez-vous au chapitre 8 à la page «10 Données techniques».

1. Raccordez le tuyau d'air comprimé à l'entrée d'air comprimé avec le raccord rapide.

Mise à niveau des pistons de la cartouche

Reportez-vous aux schémas **{D}** et **{E}** à la page II:

1. Retirez l'écrou de retenue (11) et l'embout de nez en les tournant de 120° dans le sens antihoraire.
2. Réglez la vanne de régulation de pression (8) sur la quantité de décharge minimale.
3. Appuyez sur la gâchette de décharge (7) jusqu'à ce que les deux composants sortent de la cartouche de manière égale.

Installation du mélangeur

Reportez-vous au schéma **{F}** à la page II:

1. Installez le mélangeur (a) et fixez-le à l'aide de l'écrou de retenue sur la sortie de la cartouche (b).

Libération du matériau

Reportez-vous aux schémas **{G}** et **{H}** à la page II:

1. Appuyez sur la gâchette de décharge (7). La libération du matériau commence et l'indicateur de volume du distributeur rouge (3) avance. Lorsque la gâchette de décharge (7) est relâchée, la libération du matériau s'arrête.
2. Le débit volumétrique libéré peut être contrôlé avec la vanne de régulation de pression (8).

Retrait de la cartouche

Reportez-vous au schéma **{I}** à la page II:

1. Relâchez la gâchette de décharge (7) et appuyez sur le bouton de rétractation (10) jusqu'à ce que les pousoirs se trouvent au niveau de la butée arrière.
2. À l'aide du bouton d'éjection de la cartouche (5), sortez la cartouche de son logement et retirez-la par le haut.



Mettez au rebut la cartouche et le mélangeur conformément aux instructions du fabricant d'adhésif/d'agent d'étanchéité.

Retrait et remplacement du logement de cartouche et des plaquettes de pousoir

1. Débranchez le distributeur de l'alimentation en air comprimé.
2. Pressez les côtés du logement de cartouche (6) et sortez-le par le haut du distributeur.
3. Retirez et remplacez les plaquettes de pousoir (2) à l'aide d'une clé hexagonale de 4 mm. Une plus petite plaquette de pousoir est installée sur la tige inférieure la plus proche de la poignée (9).
4. Installez un nouveau logement de cartouche (6) par le haut du distributeur. Un clic doit se faire entendre. Le bouton d'éjection de la cartouche (5) doit être le plus proche du guide de cartouche (1).
5. Rebranchez l'alimentation en air comprimé.

8) DÉPANNAGE

N°	Défaut	Cause	Solution
1	Impossible de faire rentrer les plaquettes de pousoir dans la cartouche	<ul style="list-style-type: none"> La cartouche n'est pas complètement insérée dans le logement de cartouche Présence de corps étranger dans le guide de cartouche Diamètre incorrect des plaquettes de pousoir installées 	<ul style="list-style-type: none"> Vérifiez que le logement de cartouche correct est installé et n'est pas endommagé. Enfoncez complètement la cartouche dans le manchon. Éliminez le corps étranger du guide de cartouche (n'utilisez pas d'outils tranchants). Vérifiez que le diamètre des plaquettes de pousoir est correct. Remplacez les plaquettes de pousoir si nécessaire.
2	Impossible de retirer la cartouche du distributeur	<ul style="list-style-type: none"> Les plaquettes de pousoir se trouvent encore dans la cartouche 	<ul style="list-style-type: none"> Rétractez complètement les pousoirs à l'aide du bouton de rétractation (vérifiez l'indicateur de volume du distributeur).
3	Libération interrompue	<ul style="list-style-type: none"> L'alimentation en air comprimé a été interrompue 	<ul style="list-style-type: none"> Vérifiez la pression de l'alimentation en air comprimé. Vérifiez le branchement au distributeur.
4	Impossible de libérer le matériau	<ul style="list-style-type: none"> Le matériau a durci dans le mélangeur Pression pas suffisamment élevée 	<ul style="list-style-type: none"> Remplacez le mélangeur. Reportez-vous au temps d'ouverture du mélangeur dans la fiche technique des matériaux à libérer. Augmentez progressivement la pression en tournant la vanne de régulation de pression.
5	Bruit de fuite d'air	<ul style="list-style-type: none"> Pression d'entrée trop élevée – Échappement d'air de la soupape de sécurité Fuite au niveau du raccord d'air comprimé Fuite au niveau de la poignée 	<ul style="list-style-type: none"> Vérifiez et réduisez la pression d'entrée au niveau adéquat. Vérifiez et serrez l'adaptateur. Si la fuite d'air se trouve dans la poignée, envoyez l'appareil au fabricant ou à un centre de service agréé pour inspection.
6	Vitesse de distribution irrégulière	<ul style="list-style-type: none"> Corps étranger dans l'unité d'entraînement/ mauvaise étanchéité 	<ul style="list-style-type: none"> Envoyez l'appareil au fabricant ou à un centre de service agréé pour inspection (n'utilisez jamais de solvants pour nettoyer le circuit d'air).

9) ENTRETIEN ET RÉPARATION

Notifications



Les opérations d'entretien et de réparation ne peuvent être réalisées que par des sites agréés par le fabricant et exclusivement par un personnel dûment formé et qualifié (voir liste d'adresses au verso).



⚠️ AVERTISSEMENT Risque de blessure dû à un actionnement accidentel du distributeur et/ou à des composants projetés!

► Débranchez toujours l'alimentation en air comprimé du distributeur pendant les opérations d'entretien.



⚠️ ATTENTION Risque de blessure dû à des opérations d'entretien et de réparation incorrectes!

► L'unité d'entraînement pneumatique (voir élément 4 sur le schéma **{A}** à la page II) ne doit jamais être ouverte. S'il est nécessaire de procéder à l'entretien ou à la réparation de l'unité d'entraînement pneumatique, contactez un centre de service agréé Sulzer-Mixpac (voir liste d'adresses au dos).

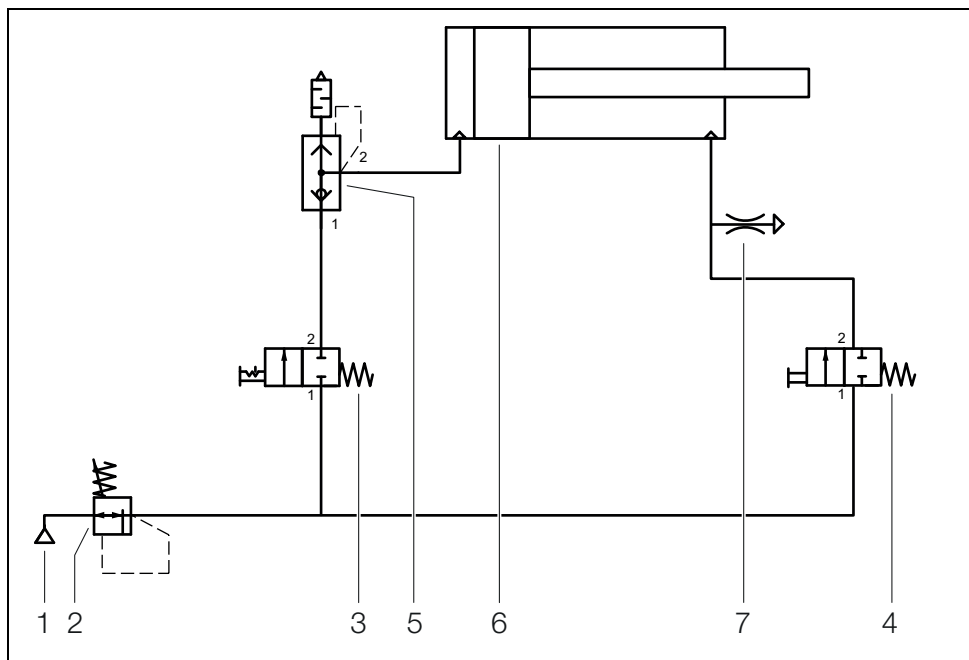
AVIS Risque de dommage dû à un entretien et à un nettoyage incorrects!

► Maintenez le distributeur propre en permanence.
► N'utilisez jamais de produits de nettoyage corrosifs pour nettoyer la surface de l'appareil (n'utilisez pas de produits à base de silicone).

10) DONNÉES TECHNIQUES

Pression de service	680 kPa (6,8 bar) (98 psi) max.
Alimentation en air comprimé	1 000 kPa (10 bar) 145 PSI
Qualité de l'air comprimé	ISO 8573-1:2010 [2:4:2]
Niveau sonore	83 dB
Température de service recommandée	De +5°C à +40°C
Humidité relative de l'air	De 30% à 80% HR (sans condensation)
Transport et température de stockage	De 0°C à +40°C
Réglage de pression	Variable à l'infini
Poids	DP2X-200: 1,7 kg DP2X-400: 2,5 kg

11) SCHÉMA PNEUMATIQUE



- 1 Alimentation en air comprimé 1 000 kPa max.
- 2 Vanne de régulation 680 kPa
- 3 Bouton-poussoir, cylindre en avant
- 4 Bouton-poussoir, cylindre en arrière
- 5 Échappement rapide avec silencieux (intégré au cylindre)
- 6 Unité d'entraînement pneumatique
- 7 Fuite

SOMMARIO

1) Informazioni di carattere generale	2	9) Manutenzione e riparazione	8
Norme applicate	2	Note	8
Copyright	2	10) Dati tecnici	8
Garanzia	2	11) Schema pneumatico	9
Targhetta identificativa e marchio CE	2		
Ulteriore documentazione relativa al sistema ..	2		
2) Norme di sicurezza	2		
Simboli utilizzati nel manuale	2		
Indicazioni di sicurezza da osservare rigorosamente	3		
Utilizzo conforme alla destinazione d'uso	4		
Utilizzo non conforme alla destinazione d'uso	5		
3) Dotazione di fornitura	5		
4) Panoramica del prodotto	5		
Adesivi di sicurezza	5		
Varianti / denominazioni del tipo	5		
5) Descrizione funzionale	5		
6) Preparazione dell'erogatore	5		
Procedura	5		
7) Utilizzo	6		
Inserimento della cartuccia	6		
Collegamento dell'erogatore all'alimentazione dell'aria compressa	6		
Allineamento dei pistoni	6		
Inserimento del miscelatore	6		
Erogazione del materiale	6		
Rimozione della cartuccia	6		
Rimozione e sostituzione del supporto della cartuccia e dei dischi dei pistoni	6		
8) Risoluzione dei problemi	7		

1) INFORMAZIONI DI CARATTERE GENERALE

Il manuale di istruzioni originale è stato redatto in lingua inglese. Le versioni nelle altre lingue sono basate sulla versione originale.

Norme applicate

- 2006/42/CE: Direttiva Macchine
- EN ISO 12100:2010
Sicurezza del macchinario – Principi generali di progettazione – Valutazione del rischio e riduzione del rischio
- EN ISO 4414:2010
Pneumatica - Regole generali e requisiti di sicurezza per i sistemi e i loro componenti

Copyright

Tutti i diritti riservati Sono vietate la copia, parziale o totale, e la riproduzione in formato elettronico del presente manuale senza la previa autorizzazione scritta del produttore.

Garanzia

Il produttore concede 24 mesi di garanzia a far data dal giorno della spedizione dell'erogatore. Le parti soggette a usura sono escluse dalla garanzia. Le modifiche all'apparecchio, così come le riparazioni e le operazioni di assistenza, devono essere effettuate dal produttore o dai suoi partner di assistenza, pena la decadenza del diritto alla garanzia.

Targhetta identificativa e marchio CE

MIXPAC™
DP2X 200

Sulzer Mixpac (UK) Ltd
1 Tealgate, Charnham
Park, Hungerford,
Berkshire.
RG17 0YT United Kingdom
Phone: +44 (0)1488 547800

Serial Number: DP2X2 XXXXXX XXXX
YOM:
Made in U K
Max Input Pressure: 1000 KPa (10bar)



MIXPAC™
DP2X 400

Sulzer Mixpac (UK) Ltd
1 Tealgate, Charnham
Park, Hungerford,
Berkshire.
RG17 0YT United Kingdom
Phone: +44 (0)1488 547800

Serial Number: DP2X4 XXXXXX XXXX
YOM:
Made in U K
Max Input Pressure: 1000 KPa (10bar)



Ulteriore documentazione relativa al sistema

Maggiori informazioni sono disponibili sulla nostra pagina web www.sulzer.com.

2) NORME DI SICUREZZA



Assicurarsi che il manuale di istruzioni sia sempre facilmente accessibile agli utenti.

Ci riserviamo il diritto di apportare variazioni in seguito a modifiche tecniche.



Leggere attentamente e completamente il presente manuale di istruzioni. Il corretto funzionamento e la sicurezza operativa possono essere garantiti solamente se gli utenti conoscono e si attengono alle norme di sicurezza riportate nel presente manuale.

Simboli utilizzati nel manuale

Simbolo	Significato
	INFORMAZIONI Informazioni relative al montaggio, al funzionamento o alla manutenzione.
	Situazione di possibile pericolo. Se non evitato, può causare la morte o lesioni gravi e irreversibili.
	Situazione di possibile pericolo. Se non evitato, può causare lesioni irreversibili leggere o di scarsa entità.
	Situazione che può risultare in un danno materiale.
	Situazione di pericolo generico.
	Pericolo di esplosione

Simbolo	Significato
	Indica pericoli/rischi che possono sorgere dalle fiamme libere
	Indica pericoli/rischi che possono derivare da parti scagliate ad alta velocità.
	Pericoli dovuti allo schiacciamento delle dita o di tutta la mano.
	Prima di utilizzare il prodotto leggere sempre il manuale di istruzioni.
	Indica pericoli/rischi che possono derivare dall'apertura dell'apparecchio. Non aprire mai l'apparecchio per interventi di manutenzione e riparazione.
	Le persone che utilizzano l'erogatore devono indossare occhiali protettivi durante il funzionamento dell'apparecchio.
	INDOSSARE OCCHIALI PROTETTIVI durante l'utilizzo e nelle vicinanze dell'apparecchio Le persone che utilizzano l'erogatore e coloro che si trovano nelle vicinanze devono indossare degli occhiali protettivi durante il funzionamento dell'apparecchio. L'inosservanza può causare lesioni gravi.
	CE L'erogatore è marcato CE in ottemperanza alle pertinenti direttive europee.
	Idoneo per il riciclaggio.



Le indicazioni generali di sicurezza informano l'utente sui possibili pericoli residui che esistono anche quando l'apparecchio viene utilizzato in conformità alle istruzioni, oltre ai pericoli che possono sorgere inaspettatamente.

A – uso standard

B – uso speciale

C – requisiti locali

D – problema imprevisto

Attenersi inoltre alle indicazioni speciali di sicurezza fornite in occasione di eventi particolari.

Infine è necessario osservare le locali disposizioni di legge in materia di prevenzione degli infortuni e di tutela dell'ambiente nel luogo di utilizzo dell'apparecchio.

Non utilizzare l'apparecchio prima di aver letto e compreso le sequenze operative e le istruzioni descritte nel presente manuale. L'apparecchio opera con pressioni elevate, vedi "10) Dati tecnici" a pag. 8.

L'inosservanza delle presenti istruzioni può causare la fuoriuscita accidentale di aria ad alta pressione dall'apparecchio oppure lo scoppio del medesimo, con conseguenti gravi lesioni all'utente o alle persone nelle vicinanze e danni materiali.

Indicazioni di sicurezza da osservare rigorosamente



⚠️AVVERTENZA Pericolo di lesioni e incidenti in caso di inosservanza delle norme di sicurezza

► È obbligatorio osservare tutte le norme di sicurezza; il produttore non è responsabile degli eventuali danni risultanti dalla mancata osservanza delle norme di sicurezza.



⚠️AVVERTENZA Pericolo di lesioni dovuto ad un uso non corretto e alla mancanza di dispositivi di protezione individuale.

► Durante l'utilizzo dell'apparecchio, tutti gli utenti e le persone nelle vicinanze devono indossare occhiali e guanti protettivi per evitare il contatto della pelle con il materiale erogato.

► Durante l'utilizzo è vietato indirizzare il foro di uscita/la punta del miscelatore verso le persone o le cose.

► Osservare le istruzioni di sicurezza riportate sull'etichetta della cartuccia.



⚠AVVERTENZA Pericolo di inciampare sul tubo dell'aria compressa / pulizia e ordine nella postazione di lavoro!

► Assicurarsi che la postazione di lavoro sia sempre pulita e in ordine.

► Posare i tubi dell'aria compressa in modo che non rappresentino un pericolo d'inciampo per l'operatore o per le persone a lui vicine.



⚠AVVERTENZA Pericolo di esplosione e di incendio

► Non utilizzare mai l'apparecchio nei pressi di fonti d'innescio o di sorgenti d'energia che costituiscono un potenziale rischio di combustione / esplosione.

• L'unità di azionamento pneumatica (vedi pos. 4 nella figura **{A}** a pag. 11) non deve mai essere aperta o rimossa.

• L'erogatore deve essere maneggiato con cura. L'erogatore deve essere immagazzinato in un luogo fresco e asciutto. Vedi "10) Dati tecnici" a pagina 8. L'erogatore deve essere trasportato con cura. Evitare per quanto possibile gli urti. Non lasciare cadere mai l'erogatore sul pavimento o sul banco di lavoro. Evitare gli urti sul luogo di lavoro.

• È vietato rimuovere, eludere, ponticellare o mettere fuori servizio i dispositivi di sicurezza mentre l'erogatore è in funzione.

• Attenersi sempre a quanto indicato dai segnali di avvertimento e informazione applicati all'apparecchio, che non devono mai essere rimossi. Qualora si staccino o dovessero essere illeggibili, sostituirli immediatamente.

• La valvola di regolazione della pressione integrata non deve mai essere rimossa, modificata o manipolata. Rispettare rigorosamente i limiti di pressione.

• Prima dell'uso, ispezionare l'erogatore per verificare la presenza di danni e difetti visibili. Utilizzare l'erogatore solo quando è in condizioni di perfetta operatività. Qualora si nutrano dubbi sull'utilizzabilità dell'erogatore o si notino segni di rottura o altro tipo di danno, interrompere immediatamente l'uso dell'apparecchio. Inviare l'apparecchio al produttore per farlo ispezionare e riparare (vedi elenco degli indirizzi a tergo).

• Mantenere l'erogatore sempre pulito, per evitare malfunzionamenti o lesioni.

• Non tentare mai di riparare o modificare da soli l'erogatore. La manutenzione e le riparazioni devono essere effettuate esclusivamente da personale specializzato e qualificato. Tali interventi non devono mai avvenire quando l'apparecchio è collegato all'alimentazione dell'aria compressa.

• Fare attenzione durante le operazioni di collegamento e distacco dei tubi dell'aria compressa.

• Utilizzare esclusivamente accessori originali Sulzer Mixpac. L'utilizzo di accessori di altri produttori comporta l'estinzione della garanzia, oltre a provocare malfunzionamenti e incidenti.



Manipolazioni o modifiche dell'apparecchio da parte di persone non autorizzate dal produttore e l'inosservanza delle norme di

sicurezza contenute nel presente manuale sono pericolose e possono causare incidenti con lesioni gravi e/o danni materiali.

Utilizzo conforme alla destinazione d'uso

L'erogatore portatile è stato concepito per miscelare e dispensare materiali dalle diverse composizioni.

L'utilizzo conforme alla destinazione d'uso richiede l'osservanza delle istruzioni contenute nel presente manuale. Le specifiche tecniche del capitolo "10) Dati tecnici" a pagina 8 indicano i limiti vincolanti per l'impiego dell'apparecchio e i dati tecnici dello stesso.

Utilizzo non conforme alla destinazione d'uso

Questo include:

- Qualsiasi impiego che si discosti da quelli elencati nel capitolo «Utilizzo conforme alla destinazione d'uso».
- L'utilizzo dell'apparecchio senza appropriate istruzioni
- La rimozione delle targhette di avvertimento sull'apparecchio
- La permanenza irresponsabile vicino a fiamme libere o fonti di energia.
- Apportare modifiche all'apparecchio senza il permesso scritto del produttore.
- L'uso di cartucce o pezzi di ricambio di un altro costruttore senza previo consenso scritto del produttore originale



AVVERTENZA Pericolo di lesioni e incidenti dovuti ad un utilizzo non conforme alla destinazione d'uso

► Il produttore non è responsabile di eventuali danni derivanti dalla mancata osservanza della destinazione d'uso

3) DOTAZIONE DI FORNITURA

Vedi figura {C} a pagina II:

- 0 Erogatore (corredato di supporto della cartuccia e pistoni)
- 13 Manuale di istruzioni

4) PANORAMICA DEL PRODOTTO

Vedi le figure da {A} a {I} a pagina II:

- 1 Guida della cartuccia
- 2 Dischi dei pistoni*
- 3 Indicatore di volume erogato
- 4 Unità di azionamento pneumatica
- 5 Pulsante di espulsione cartuccia
- 6 Supporto della cartuccia*
- 7 Grilletto
- 8 Valvola di regolazione della pressione
- 9 Impugnatura

- 10 Pulsante di arretramento
 - 11 Dado di fissaggio
 - 12 Tappo frontale
 - 13 Manuale di istruzioni
 - 14 Attacco aria compressa
- * disponibile come pezzo di ricambio

Adesivi di sicurezza



Varianti / denominazioni del tipo

Le versioni dell'erogatore DP sono elencate nella tabella sottostante.

Tipo	Ø cilindro	Volume cartuccia	Rapporti
DP2X-200	70 mm	200 ml	1:1 / 2:1 /
DP2X-400	100 mm	400 ml	4:1 / 10:1

5) DESCRIZIONE FUNZIONALE

Vedi figure da {A} a {I} a pagina II:

La valvola di regolazione della pressione (8) riduce la pressione nel circuito dell'aria compressa. La pressione dell'aria aziona un pistone cilindrico che muove i pistoni montati (2) nei tubi della cartuccia e spinge il materiale nel miscelatore statico.

6) PREPARAZIONE DELL'EROGATORE

Procedura

Vedi figura {A} a pagina II:

1. Montare l'attacco rapido da ¼" desiderato NPTF o BSPPF (non incluso) utilizzando due chiavi inglesi per stringerlo.
2. Collegare l'erogatore al circuito dell'aria compressa e verificare che il raccordo non presenti perdite d'aria. In caso di perdite potrebbe essere necessario stringere il raccordo.

7) UTILIZZO

Inserimento della cartuccia

Vedi figura {B} a pagina II:



ATTENZIONE Pericolo di schiacciamento dovuto al movimento di estrazione del pistone.

1. Inserire la cartuccia con rapporti di volume diversi nella guida (1) sempre con il volume più grande (lato A) rivolto verso l'alto, premendola verso il basso fino all'innesto.

Collegamento dell'erogatore all'alimentazione dell'aria compressa

AVVISO Pericolo di danni dovuti ad alimentazione dell'aria compressa non corretta.

► Rispettare il valore massimo della pressione di ingresso dell'alimentazione dell'aria compressa. Vedi capitolo "10) Dati tecnici" a pagina 8.

1. Connettere il tubo dell'aria compressa munito di attacco rapido al raccordo dell'aria compressa.

Allineamento dei pistoni

Vedi figure {D} ed {E} a pagina II:

1. Rimuovere il dado di fissaggio (11) e il tappo frontale girandolo di 120° in senso antiorario.
2. Impostare la valvola di regolazione della pressione (8) sulla quantità minima di erogazione.
3. Premere il grilletto (7) finché entrambi i componenti non sono spinti fuori dalla cartuccia nella stessa quantità.

Inserimento del miscelatore

Vedi figura {F} a pag. II:

1. Inserire il miscelatore (a) e fissarlo al foro di uscita (b) della cartuccia utilizzando il dado di fissaggio.

Erogazione del materiale

Vedi figure {G} e {H} a pagina II:

1. Premere il grilletto (7). L'erogazione ha inizio e l'indicatore di volume erogato (3) comincia a spostarsi in avanti. Una volta rilasciato il grilletto (7), l'erogazione si arresta.
2. La portata del volume erogato può essere controllata mediante la valvola di regolazione della pressione (8).

Rimozione della cartuccia

Vedi figura {I} a pag. II:

1. Rilasciare il grilletto (7) e premere il pulsante di arrestamento (10) fino a quando i pistoni non sono arrivati alla battuta posteriore.
2. Mediante il pulsante di espulsione cartuccia (5) spingere la cartuccia fuori dal suo supporto e rimuoverla sollevandola verso l'alto.



Smaltire la cartuccia e il miscelatore seguendo le istruzioni del produttore dell'adesivo/sigillante.

Rimozione e sostituzione del supporto della cartuccia e dei dischi dei pistoni

1. Scollegare l'erogatore dal sistema di alimentazione dell'aria compressa.
2. Schiacciare i lati del supporto della cartuccia (6) e rimuoverlo dalla parte superiore dell'erogatore.
3. Rimuovere e sostituire i dischi dei pistoni (2) utilizzando una chiave a brugola da 4 mm. Il disco più piccolo va montato sull'asta inferiore quanto più vicino possibile all'impugnatura (9).
4. Montare il nuovo supporto della cartuccia (6) dall'alto dell'erogatore finché non scatta in posizione. Il pulsante di espulsione cartuccia (5) deve essere il più vicino possibile alla guida della cartuccia (1).
5. Collegare nuovamente l'alimentazione dell'aria compressa.

8) RISOLUZIONE DEI PROBLEMI

N.	Guasto	Causa	Rimedio
1	I dischi dei pistoni non entrano nella cartuccia	<ul style="list-style-type: none"> • La cartuccia non è stata completamente inserita nel rispettivo supporto • Corpi estranei nella guida della cartuccia • Sono stati montati dischi dei pistoni di diametro sbagliato 	<ul style="list-style-type: none"> • Verificare di avere installato il supporto della cartuccia corretto e che quest'ultimo non sia danneggiato. Spingere la cartuccia verso il basso per inserirla completamente nel rispettivo guscio. • Rimuovere i corpi estranei dalla guida della cartuccia (non usare utensili affilati). • Controllare che il diametro dei dischi dei pistoni sia corretto. Se necessario, sostituire i dischi dei pistoni.
2	Impossibile rimuovere la cartuccia dall'erogatore	<ul style="list-style-type: none"> • I dischi dei pistoni sono ancora in posizione all'interno della cartuccia. 	<ul style="list-style-type: none"> • Ritrarre completamente i pistoni utilizzando l'apposito pulsante di arretramento (verificare l'indicatore di volume erogato).
3	Erogazione interrotta	<ul style="list-style-type: none"> • L'alimentazione dell'aria compressa è stata interrotta 	<ul style="list-style-type: none"> • Controllare la pressione del sistema di alimentazione dell'aria compressa. Controllare il collegamento all'erogatore.
4	Impossibile scaricare materiale	<ul style="list-style-type: none"> • Materiale indurito all'interno del miscelatore • Pressione non sufficientemente alta 	<ul style="list-style-type: none"> • Sostituire il miscelatore. Vedi il tempo di apertura del miscelatore nella scheda dei dati tecnici dei materiali da erogare. • Aumentare gradualmente la pressione girando la valvola di regolazione della pressione.
5	Rumore di aria che fuoriesce	<ul style="list-style-type: none"> • Pressione sul lato di ingresso troppo alta – la valvola di sicurezza scarica la pressione in eccesso • Perdita a livello della connessione dell'aria compressa • Perdita dall'impugnatura 	<ul style="list-style-type: none"> • Controllare e ridurre la pressione di ingresso a un livello adeguato. • Controllare e stringere l'adattatore. • Se la fonte della perdita d'aria è all'interno dell'impugnatura, inviare l'apparecchio al produttore o a un centro di assistenza autorizzato per un'ispezione.
6	Velocità di erogazione non uniforme	<ul style="list-style-type: none"> • Corpi estranei nell'unità di azionamento / guarnizione danneggiata 	<ul style="list-style-type: none"> • Fare ispezionare l'apparecchio presso il produttore o un centro di assistenza autorizzato (non usare mai solventi per pulire il percorso dell'aria).

9) MANUTENZIONE E RIPARAZIONE

10) DATI TECNICI

Note



La manutenzione e le riparazioni devono essere eseguite solo da centri autorizzati dal produttore ed esclusivamente da personale qualificato e debitamente formato (vedi elenco di indirizzi a tergo).



AVVERTENZA Pericolo di lesioni dovuto all'attivazione accidentale dell'erogatore e/o a parti scagliate ad alta velocità.

► Durante gli interventi di manutenzione disconnettere sempre l'erogatore dall'alimentazione di aria compressa.



ATTENZIONE Pericolo di lesioni dovute a operazioni di manutenzione e riparazione non corrette.

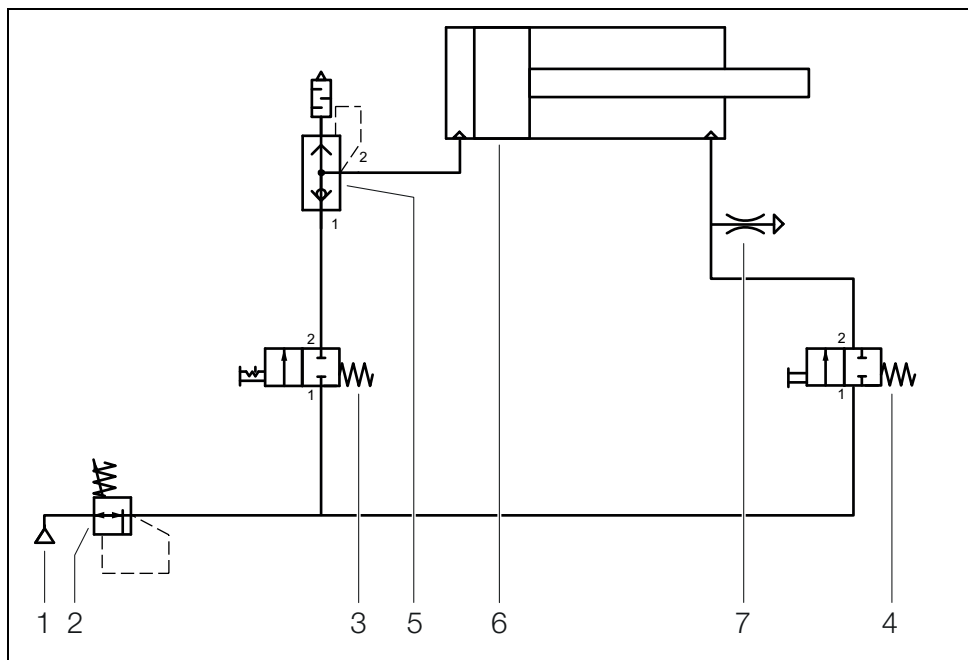
► L'unità di azionamento pneumatica (vedi pos. 4 nella figura **{A}** a pagina II) non deve mai essere aperta. Qualora si renda necessario eseguire interventi di assistenza o riparare l'unità di azionamento pneumatica, si prega di contattare un centro di assistenza autorizzato Sulzer-Mixpac (vedi elenco degli indirizzi a tergo).

AVVISO Pericolo di danni dovuti a operazioni di manutenzione e pulizia non corrette.

► Mantenere l'erogatore sempre pulito.
► Non utilizzare mai detergenti corrosivi per pulire la superficie dell'apparecchio (non utilizzare prodotti contenenti silicone).

Pressione di esercizio	680 kPa (6,8 bar) (98 psi) max.
Alimentazione dell'aria compressa	1000 kPa (10 bar) 145 PSI
Qualità dell'aria compressa	ISO 8573-1:2010 [2:4:2]
Livello sonoro	83 dB
Temperatura di esercizio consigliata	da +5°C a +40°C
Umidità relativa	da 30% a 80% (senza formazione di condensa)
Temperatura di trasporto e immagazzinaggio	da 0°C a +40°C
Regolazione della pressione	in continuo
Peso	DP2X-200: 1,7 kg DP2X-400: 2,5 kg

11) SCHEMA PNEUMATICO



- 1 Alimentazione dell'aria compressa 1000 kPa max.
- 2 Valvola di regolazione 680 kPa
- 3 Pulsante cilindro avanti
- 4 Pulsante cilindro indietro
- 5 Sfiato veloce con silenziatore (integrato nel cilindro)
- 6 Unità di azionamento pneumatica
- 7 Perdita

INDICE

1) General	2	9) Mantenimiento y reparación	8
Normas aplicables	2	Notas	8
Copyright	2	10) Datos técnicos	8
Garantía	2	11) Diagrama neumático	9
Placa de características y marca CE	2		
Documentación de sistema adicional	2		
2) Normas de seguridad	2		
Símbolos en el manual de instrucciones	2		
Instrucciones de seguridad que deben cumplirse de modo estricto	3		
Uso de acuerdo con las instrucciones	4		
Uso no de acuerdo con las instrucciones	5		
3) Volumen de la entrega	5		
4) Vista general del producto	5		
Adhesivos de instrucciones de seguridad	5		
Variantes / designaciones de tipo	5		
5) Descripción funcional	5		
6) Preparación del dispensador para el uso	5		
Procedimiento	5		
7) Funcionamiento	6		
Inserción del cartucho	6		
Conecte el dispensador al suministro de aire comprimido	6		
Nivelación de los pistones del cartucho	6		
Montaje del mezclador	6		
Dispensación del material	6		
Extracción del cartucho	6		
Retire y sustituya el soporte de cartucho y los discos del empujador	6		
8) Resolución de problemas	7		

1) GENERAL

El manual de instrucciones original se ha compilado en inglés. Los otros idiomas están basados en la versión original.

Normas aplicables

- 2006/42/CE: Directiva de Máquinas
- EN ISO 12100:2010
Seguridad de las máquinas. Principios generales para el diseño. Evaluación del riesgo y reducción del riesgo.
- EN ISO 4414:2010
Transmisiones neumáticas. Reglas generales y requisitos de seguridad para los sistemas y sus componentes.

Copyright

Todos los derechos reservados. Este manual no puede ser copiado en parte ni en su totalidad ni reproducido en un formato electrónico sin el permiso previo y por escrito del fabricante.

Garantía

El fabricante garantiza 24 meses de garantía a partir de la fecha de entrega del dispensador. Las piezas sometidas a desgaste están excluidas de la garantía. Las modificaciones en el dispositivo, así como los trabajos de reparación y mantenimiento, solo pueden ser realizados por el fabricante o su socio de servicio; de lo contrario, los derechos de garantía y de responsabilidad quedarán invalidados.

Placa de características y marca CE

MIXPAC™

DP2X 200

Sulzer Mixpac (UK) Ltd
1 Tealgate, Charnham
Park, Hungerford,
Berkshire.
RG17 0YT United Kingdom
Phone: +44 (0)1488 647800

Serial Number: DP2X2 XXXXXX XXXX
YOM:
Made in UK
Max Input Pressure: 1000 KPa (10bar)



MIXPAC™

DP2X 400

Sulzer Mixpac (UK) Ltd
1 Tealgate, Charnham
Park, Hungerford,
Berkshire.
RG17 0YT United Kingdom
Phone: +44 (0)1488 647800

Serial Number: DP2X4 XXXXXX XXXX
YOM:
Made in UK
Max Input Pressure: 1000 KPa (10bar)



Documentación de sistema adicional

Puede encontrar información adicional en nuestro sitio web en www.sulzer.com.

2) NORMAS DE SEGURIDAD



Asegúrese de que el manual de instrucciones esté siempre fácilmente accesible para los usuarios.

Nos reservamos el derecho a realizar cambios como resultado de las modificaciones técnicas.



¡Lea este manual de instrucciones atentamente! El funcionamiento correcto y la seguridad operacional solo podrán garantizarse cuando los usuarios estén familiarizados con todas las normas de seguridad de este manual de instrucciones y cumplan con ellas.

Símbolos en el manual de instrucciones

Símbolo	Significado
	INFORMACIÓN Información sobre montaje, funcionamiento y mantenimiento.
	Posible situación de peligro. En caso de no evitarse este peligro, las consecuencias pueden ser lesiones mortales o muy graves e irreversibles.
	Posible situación de peligro. En caso de no evitarse este peligro, las consecuencias pueden ser lesiones leves o menores e irreversibles.
	Situación que puede provocar daños al equipo.
	Posible situación de peligro.

Símbolo	Significado
	Riesgo de explosión
	Peligros / riesgos que pueden resultar del fuego abierto
	Peligros / riesgos que pueden resultar por piezas proyectadas.
	Peligros que pueden resultar del atrapamiento de los dedos o las manos.
	Lea siempre el manual de instrucciones antes de usar el producto.
	Peligros / riesgos que pueden resultar de la apertura del dispositivo. No abra nunca el aparato para trabajos de mantenimiento y reparación.
	Las personas que utilicen el dispensador deben usar guantes protectores durante el funcionamiento del dispositivo.
	UTILIZAR GAFAS PROTECTORAS durante el uso y en las inmediaciones. Las personas que usen el dispensador, así como cualquier persona que se encuentre cerca, deben usar gafas de protección durante el funcionamiento del dispositivo. El incumplimiento puede provocar lesiones graves
	CE El dispensador lleva la marca CE en cumplimiento con las directivas europeas respectivas.
	Puede ser reciclado.



Las siguientes instrucciones generales de seguridad le informan sobre los posibles peligros residuales que existen incluso cuando el dispositivo se utilice de acuerdo con las instrucciones o sobre los peligros que pueden surgir inesperadamente.

A – uso estándar

B – uso especial

C – requisitos locales

D – problema inesperado

Además, deben cumplirse las instrucciones de seguridad especiales que se dan directamente en las situaciones correspondientes.

Por otro lado, deben cumplirse las normas legales locales sobre prevención de accidentes y protección del medio ambiente aplicables en el lugar de explotación.

El dispensador no se podrá utilizar antes de haber realizado la secuencia de funcionamiento y de que se hayan leído y comprendido las instrucciones contenidas en este manual de instrucciones. El dispositivo trabaja a alta presión, vea "10) Datos técnicos" en la página 8

Si no se observan estas instrucciones, pueden descargarse accidentalmente altas presiones del dispensador o éste puede llegar a estallar, lo que provocaría lesiones graves al usuario o las personas que se encuentren cerca y también daños al equipamiento.

Instrucciones de seguridad que deben cumplirse de modo estricto:



⚠️ ADVERTENCIA Riesgo de lesiones y accidentes en caso de incumplimiento de la normativa de seguridad

► Debe cumplirse con toda la normativa de seguridad; el fabricante no es responsable de ningún daño resultante del incumplimiento de las normas de seguridad.



⚠️ ADVERTENCIA Riesgo de lesiones debido al uso incorrecto y a no llevar el equipo de protección personal.

- ▶ Durante el uso, todos los usuarios y todas las personas que se encuentren cerca deben usar gafas de protección ocular y guantes de seguridad para evitar el contacto cutáneo con el material dispensado.
- ▶ El usuario no está autorizado a apuntar con la salida del cartucho / punta mezcladora a los seres vivos ni a los objetos durante el uso.
- ▶ Observe las instrucciones de seguridad que figuran en la etiqueta del cartucho.



⚠ADVERTENCIA ¡Riesgo de tropezarse con la manguera de aire comprimido o a causa de la falta de orden en el lugar de trabajo!

- ▶ Asegúrese de que el lugar de trabajo esté siempre limpio y ordenado.
- ▶ Coloque las mangueras de aire comprimido de manera que no creen un riesgo de tropiezo para el operador o para el resto de personas.



⚠ADVERTENCIA Riesgo de incendio y explosión

- ▶ No utilice nunca el dispositivo cerca de fuentes de ignición o fuentes de energía que constituyan un riesgo potencial de combustión/explosión.
- La unidad de accionamiento neumática (consulte el elemento 4 en la figura {A} de la página II) no debe abrirse ni retirarse en ningún caso.
- El dispensador debe manipularse con cuidado. El dispensador debe guardarse en un sitio fresco y seco. Consulte "10) Datos técnicos" en la página 8. El dispensador debe transportarse con cuidado. Deben evitarse los choques en la medida de lo posible. No deje caer nunca el dispensador sobre el suelo o el banco de trabajo. Evite los golpes en el lugar de trabajo.
- No está permitido retirar, eludir, puentear o poner fuera de funcionamiento los dispositivos de seguridad cuando el dispensador se encuentre en uso.
- Respete siempre las señales de advertencia e información que figuran en el dispositivo. Estas señales de advertencia e información no deben retirarse nunca. Deben ser reemplazadas inmediatamente en caso de que se desprendan o sean ilegibles.

- La válvula reguladora de presión integrada no debe nunca retirarse, modificarse ni manipularse. Los límites de presión deben cumplirse estrictamente.
- Antes de utilizarlo, compruebe siempre que el dispensador no presente signos visibles de daños y averías. Utilice el dispensador únicamente cuando esté en condiciones de ser utilizado. Si no está seguro de la operatividad del dispensador o si se detectan signos de rotura u otros daños, deje de usar el dispositivo inmediatamente. Envíe el dispositivo al fabricante para su inspección y reparación (consulte la lista de direcciones en la parte posterior).
- Mantener siempre limpio el dispensador para evitar fallos funcionales o lesiones.
- No intente nunca realizar usted mismo reparaciones o modificaciones en el dispensador. El mantenimiento y las reparaciones deben ser realizados exclusivamente por personal técnico cualificado. Este trabajo no debe nunca llevarse a cabo cuando el dispensador esté conectado al suministro de aire comprimido.
- Tenga cuidado al conectar y retirar las mangueras de aire comprimido.
- Solo deben utilizarse accesorios originales de Sulzer Mixpac. Cuando se utilizan accesorios de otros fabricantes, todos los derechos de garantía frente el fabricante quedarán invalidados, pudiéndose producirse además fallos de funcionamiento o accidentes.



Las manipulaciones o modificaciones en el dispositivo por personas no autorizadas por el fabricante, así como el incumplimiento de las normas de seguridad contenidas en el manual de instrucciones suponen un peligro y pueden causar accidentes con lesiones graves y/o daños materiales.

Uso de acuerdo con las instrucciones

El dispensador portátil ha sido desarrollado para la mezcla y dispensación de materiales de diferentes combinaciones. El uso de conformidad con el objetivo previsto requiere el cumplimiento de las instrucciones del manual de instrucciones. Las especificaciones del capítulo vea "10) Datos técnicos" en la página 8 se aplican como límites vinculantes para el uso y los datos técnicos del dispositivo.

Uso no de acuerdo con las instrucciones

Incluye:

- Las aplicaciones que difieran de las aplicaciones que se enumeran en el capítulo «Uso de acuerdo con las instrucciones».
- Uso del dispositivo sin la adecuada instrucción
- Retirada de las placas de advertencia en el dispositivo
- Manejo descuidado cerca de llamas o fuentes de energía
- Cambios en el dispositivo sin el permiso por escrito del fabricante
- El uso de cartuchos o piezas de repuesto de un fabricante diferente sin el consentimiento por escrito del fabricante



⚠ADVERTENCIA Riesgo de lesiones y accidentes originados por un uso que no cumpla con el objetivo previsto

- ▶ El fabricante no se hace responsable de los daños resultantes del incumplimiento del objetivo previsto

3) VOLUMEN DE LA ENTREGA

Consulte la figura {C} en la página II:

- 0 Dispensador (equipado con soporte de cartucho y empujadores)
- 13 Manual de instrucciones

4) VISTA GENERAL DEL PRODUCTO

Consulte las figuras {A} a {I} en la página II:

- 1 Guía del cartucho
- 2 Discos del empujador*
- 3 Indicador de volumen de dispensación
- 4 Unidad de accionamiento neumática
- 5 Botón eyector del cartucho
- 6 Soporte de cartucho*
- 7 Gatillo
- 8 Válvula reguladora de presión
- 9 Empuñadura
- 10 Botón retráctil

- 11 Tuerca de retención
 - 12 Tapón de cierre
 - 13 Manual de instrucciones
 - 14 Conexión de aire comprimido
- * disponible como pieza de repuesto

Adhesivos de instrucciones de seguridad



Variantes / designaciones de tipo

Las versiones del dispensador DP están enumeradas en la tabla inferior:

Tipo	Ø de cilindro	Volumen del cartucho	Proporciones
DP2X-200	70 mm	200 ml	1:1 / 2:1 /
DP2X-400	100 mm	400 ml	4:1 / 10:1

5) DESCRIPCIÓN FUNCIONAL

Consulte las figuras {A} a {I} en la página II:

La presión de aire en el circuito neumático se reduce mediante la válvula reguladora de presión (8). La presión de aire acciona un pistón cilíndrico que mueve los empujadores montados (2) hacia los tubos del cartucho y fuerza el material hacia el interior del mezclador estático.

6) PREPARACIÓN DEL DISPENSADOR PARA EL USO

Procedimiento

Consulte la figura {A} en la página II:

1. Instale el acoplamiento de liberación rápida NPTF o BSPPF de ¼" deseado (no incluido) usando dos llaves para apretarlo.
2. Conecte el dispensador a la línea de aire comprimido y verifique que no haya fugas de aire en la conexión. Puede ser necesario apretar la conexión si se descubren fugas.

7) FUNCIONAMIENTO

Inserción del cartucho

Consulte la figura {B} en la página II:



¡ATENCIÓN! ¡Riesgo de aplastamiento por extensión del empujador!

1. Empuje siempre el cartucho con diferentes proporciones de volumen con el volumen más alto (lado A) hacia arriba en las guías (1) y presione hacia abajo hasta que encaje en su sitio.

Conecte el dispensador al suministro de aire comprimido

AVISO ¡Riesgo de daños debido a un suministro incorrecto del aire comprimido!

► Tenga en cuenta la presión máxima del suministro de aire comprimido. Consulte el capítulo 8 en la página "10) Datos técnicos".

1. Conecte la manguera de aire comprimido a la entrada de aire comprimido con el acoplamiento de liberación rápida.

Nivelación de los pistones del cartucho

Consulte las figuras {D} y {E} en la página II:

1. Retire la tuerca de retención (11) y el tapón de cierre girándola 120° en sentido contrario a las agujas del reloj.
2. Ajuste la válvula reguladora de presión (8) a la cantidad de descarga mínima.
3. Presione el gatillo (7) hasta que los dos componentes estén uniformemente presionados hacia afuera del cartucho.

Montaje del mezclador

Consulte la la figura {F} en la página II:

1. Coloque el mezclador (a) y fíjelo en su sitio mediante la tuerca de retención en la salida del cartucho (b).

Dispensación del material

Consulte las figuras {G} y {H} en la página II:

1. Pulse el gatillo (7). La dispensación comienza y el indicador de volumen de dispensación (3) rojo se desplaza hacia delante. Cuando se suelta el gatillo (7), la dispensación se detiene.
2. El caudal dispensado puede controlarse con la válvula reguladora de presión (8) del siguiente modo:

Extracción del cartucho

Consulte la figura {I} en la página II:

1. Suelte el gatillo (7) y pulse el botón retráctil (10) hasta que los empujadores se hayan desplazado a la parada posterior.
2. Utilizando el botón eyector del cartucho (5), presione el cartucho fuera del soporte de cartucho y retire el cartucho hacia arriba.



Deseche el cartucho y el mezclador de conformidad con las instrucciones del fabricante del adhesivo / sellador.

Retire y sustituya el soporte de cartucho y los discos del empujador

1. Desconecte el dispensador del suministro de aire comprimido.
2. Apriete los lados del soporte de cartucho (6) y retírelo de la parte superior del dispensador.
3. Retire y sustituya los discos del empujador (2) utilizando una llave hexagonal de 4 mm. El disco del empujador más pequeño se instala en la barra inferior más cercana al mango (9).
4. Instale un nuevo soporte de cartucho (6) desde arriba del dispensador hasta que haga clic. El botón eyector del cartucho (5) debe estar lo más cerca posible de la guía del cartucho (1).
5. Vuelva a conectar el suministro de aire comprimido.

8) RESOLUCIÓN DE PROBLEMAS

Nº	Fallo	Causa	Solución
1	Los discos del empujador no pueden entrar en el cartucho	<ul style="list-style-type: none"> • Cartucho no insertado totalmente en el soporte de cartucho • Materia extraña en la guía del cartucho • Diámetro incorrecto de los discos del empujador instalados 	<ul style="list-style-type: none"> • Compruebe que el soporte de cartucho correcto esté instalado y que no esté dañado. Presione el cartucho hacia abajo por completo introduciéndolo en el casquillo de cartucho. • Retire la materia extraña de la guía de cartucho (no use herramientas afiladas). • Compruebe el diámetro correcto de los discos del empujador. Cambie los discos del empujador en caso necesario
2	El cartucho no puede retirarse del dispensador	<ul style="list-style-type: none"> • Los discos del empujador todavía están en su posición dentro del cartucho 	<ul style="list-style-type: none"> • Retraiga completamente los empujadores utilizando el botón retráctil (compruebe el indicador de volumen de dispensación).
3	La dispensación se interrumpe	<ul style="list-style-type: none"> • El suministro de aire comprimido se ha interrumpido 	<ul style="list-style-type: none"> • Compruebe la presión de suministro de aire comprimido. Compruebe la conexión con el dispensador
4	Incapaz de descargar material	<ul style="list-style-type: none"> • El material se ha endurecido en el mezclador • La presión no es lo suficientemente alta 	<ul style="list-style-type: none"> • Vuelva a colocar el mezclador. Consulte el tiempo de apertura del mezclador en la hoja de datos técnicos de los materiales a dosificar. • Aumente gradualmente la presión girando la válvula reguladora de presión.
5	Ruido de fuga de aire	<ul style="list-style-type: none"> • Presión de entrada demasiado alta – la válvula de seguridad expulsa aire • Fuga en la conexión de aire comprimido • Fuga desde el mango 	<ul style="list-style-type: none"> • Compruebe y reduzca la presión de entrada a un nivel adecuado. • Compruebe y apriete el adaptador. • Si la fuente de la fuga de aire se encuentra dentro del mango, envíe el dispositivo al fabricante o a una estación de servicio autorizada para su inspección.
6	Velocidad de dispensación desigual	<ul style="list-style-type: none"> • Materias extrañas en la unidad de accionamiento / sellado dañado 	<ul style="list-style-type: none"> • Envíe el dispositivo al fabricante o a una estación de servicio autorizada para su inspección (no utilice nunca disolventes para limpiar el paso de aire).

9) MANTENIMIENTO Y REPARACIÓN

10) DATOS TÉCNICOS

Notas



Todos los trabajos de mantenimiento y reparación deben ser realizados únicamente en talleres autorizados por el fabricante y exclusivamente por personal cualificado y debidamente capacitado (consulte la lista de direcciones en la parte posterior).



⚠️ ADVERTENCIA ¡Riesgo de lesiones debido al accionamiento accidental del dispensador y/o a los componentes del dispositivo despedidos!

► Desconecte siempre el suministro de aire comprimido del dispensador durante el mantenimiento.



⚠️ ATENCIÓN ¡Riesgo de lesiones por mantenimiento y reparación incorrectos!

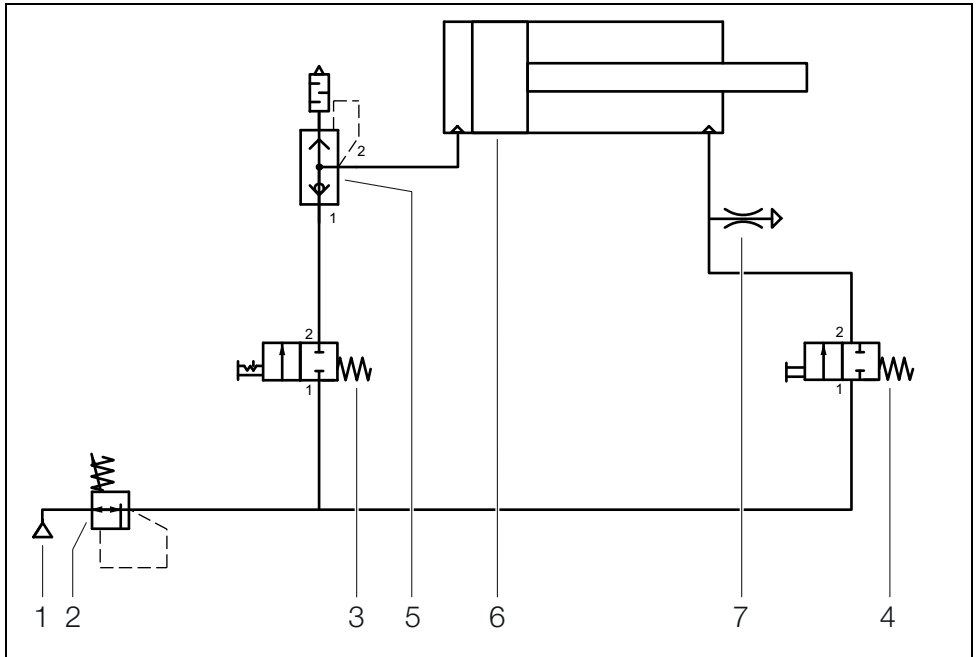
► La unidad de accionamiento neumática (véase el elemento 4 en la figura {A} de la página II) no debe estar nunca abierta. Si es necesario dar servicio o reparar la unidad de accionamiento neumática, póngase en contacto con un centro de servicio autorizado Sulzer-Mixpac (consulte la lista de direcciones en la parte posterior).

AVISO ¡Riesgo de daños debido a un mantenimiento y limpieza incorrectos!

► Mantenga el dispensador siempre limpio.
► No utilice nunca productos de limpieza corrosivos para limpiar la superficie del dispositivo (no utilice productos que contengan silicona).

Presión de servicio	680 kPa (6,8 bar) (98 psi) máx.
Suministro de aire comprimido	1000 kPa (10 bar) 145 PSI
Calidad de aire comprimido	ISO 8573-1:2010 [2:4:2]
Nivel de sonido	83 dB
Temperatura de servicio recomendada	+5°C a +40°C
Humedad relativa del aire	30% a 80% RH (sin condensación)
Temperatura de transporte y almacenamiento:	0°C a +40°C
Ajuste de presión	variable infinitamente
Peso	DP2X-200: 1,7 kg DP2X-400: 2,5 kg

11) DIAGRAMA NEUMÁTICO



- 1 Suministro de aire comprimido 1000 kPa máx.
- 2 Válvula de regulador 680 kPa
- 3 Pulsador, cilindro adelante
- 4 Pulsador, cilindro atrás
- 5 Escape rápido con silenciador (integrado en el cilindro)
- 6 Unidad de accionamiento neumática
- 7 Fuga

ÍNDICE

1) Geral	2	9) Manutenção e reparo	8
Padrões aplicáveis	2	Avisos	8
Copyright	2	10) Dados técnicos	8
Garantia	2	11) Diagrama pneumático	9
Placa de características e marcação CE	2		
Documentação adicional do sistema	2		
2) Normas de segurança	2		
Símbolos utilizados neste manual de instruções	2		
Instruções de segurança que devem ser obrigatoriamente cumpridas	3		
Use de acordo com as instruções	4		
Uso em desacordo com as instruções	5		
3) Material entregue	5		
4) Resumo do produto	5		
Adesivos com instruções de segurança	5		
Variações / Denominações de modelo	5		
5) Descrição funcional	5		
6) Preparo do dispensador para o uso	5		
Procedimento	5		
7) Operação	6		
Introdução do cartucho	6		
Conecte o dispensador à alimentação de ar comprimido	6		
Nivelamento dos pistões dos cartuchos	6		
Colocação do misturador	6		
Dispensa do material	6		
Remoção do cartucho	6		
Remoção e substituição do suporte do cartucho e dos discos do êmbolo	6		
8) Solução de problemas	7		

1) GERAL

O manual de instruções original foi compilado em inglês. Os demais idiomas se baseiam na versão original.

Padrões aplicáveis

- 2006/42/EC: Diretriz das máquinas
- EN ISO 12100:2010
Segurança de máquinas – princípios gerais para projeto – avaliação de risco e redução de riscos
- EN ISO 4414:2010
Potência do fluido pneumático – Regras gerais e requisitos de segurança para sistemas e a sua segurança

Copyright

Todos os direitos reservados. Este manual não pode ser copiado em parte ou no todo, nem reproduzido em formato eletrônico sem a permissão prévia por escrito do fabricante.

Garantia

O fabricante dá 24 meses de garantia a partir da data do fornecimento do dispensador. As peças de desgaste não são cobertas pela garantia. Alterações do dispositivo, reparos e assistência apenas devem ser executados pelo fabricante ou pelo seu parceiro de serviços, do contrário os direitos da garantia e de responsabilidade perdem a sua validade.

Placa de características e marcação CE

MIXPAC™

DP2X 200

Sulzer Mixpac (UK) Ltd
1 Tealgate, Charnham
Park, Hungerford,
Berkshire.

RG17 0YT United Kingdom
Phone: +44 (0)1488 647800



Serial N number: DP2X2 XXXXXX XXXX
YOM:

Made in U K
Max Input Pressure: 1000 KPa (10bar)

MIXPAC™

DP2X 400

Sulzer Mixpac (UK) Ltd
1 Tealgate, Charnham
Park, Hungerford,
Berkshire.

RG17 0YT United Kingdom
Phone: +44 (0)1488 647800



Serial N number: DP2X4 XXXXXX XXXX
YOM:

Made in U K
Max Input Pressure: 1000 KPa (10bar)

Documentação adicional do sistema

Você poderá encontrar informações adicionais no nosso site www.sulzer.com.

2) NORMAS DE SEGURANÇA



Assegure-se que o manual de instruções esteja sempre acessível para os usuários.

Nós nos reservamos o direito de fazer alterações em função de modificações técnicas.



Leia este manual de instruções atenciosamente! O funcionamento correto e a segurança operacional somente podem ser garantidos quando os usuários estão familiarizados com todas as instruções de segurança contidas nestas instruções e obedecem a elas.

Símbolos utilizados neste manual de instruções

Símbolo	Significado
	INFORMAÇÃO Informações sobre a montagem, a operação ou a manutenção.
	Possível situação perigosa. Se este perigo não for evitado, o resultado poderão ser ferimentos muito graves irreversíveis.
	Possível situação perigosa. Se este perigo não for evitado, o resultado poderão ser ferimentos leves ou menores irreversíveis.
	A situação pode causar dano ao equipamento.
	Situação perigosa generalizada.

Símbolo	Significado
	Risco de explosão
	Perigos que podem resultar de fogo aberto
	Perigos que podem resultar de peças arremessadas.
	Perigos que podem resultar do agarramento de dedos ou da mão toda.
	Sempre leia o manual de instruções antes de usar o produto.
	Perigos que podem resultar da abertura do dispositivo. Nunca abra o dispositivo para serviços de manutenção e de reparo.
	Pessoas que usem o dispensador devem usar luvas protetoras durante a operação do dispositivo.
	UTILIZE ÓCULOS PROTETORES durante o uso e nas proximidades. Pessoas que utilizem o dispensador, e todas as pessoas que se encontrem próximas dele, devem usar óculos protetores durante a operação do dispositivo. A não obediência pode resultar em ferimento grave.
	CE O dispensador apresenta a marcação CE em conformidade com as diretrizes europeias correspondentes.
	Pode ser reciclado.



As instruções de segurança gerais a seguir informam sobre os possíveis perigos residuais que existem, mesmo quando o produto é usado de acordo com as instruções, ou sobre perigos que podem ocorrer inesperadamente.

- A – uso padrão
- B – uso especial
- C – requisitos locais
- D – problema inesperado

Adicionalmente, as instruções de segurança especiais devem ser cumpridas de acordo diretamente nas situações correspondentes.

Além disso, devem ser cumpridas as regulamentações legais sobre prevenção de acidentes e proteção ambiental aplicáveis no local de operação.

O dispensador não deve ser utilizado antes que a sequência operacional e as instruções contidas neste manual de instruções tenham sido lidas e compreendidas. O dispositivo funciona com alta pressão, ver "10) Dados técnicos" na página 8.

Caso estas instruções não sejam observadas, as pressões altas podem ser descarregadas acidentalmente do dispensador ou o dispensador pode estourar, resultando em ferimento grave no usuário ou nas pessoas nas proximidades. O equipamento também poderá ser danificado.

Instruções de segurança que devem ser obrigatoriamente cumpridas:



⚠️ ATENÇÃO Risco de ferimento e acidentes no caso de não cumprimento das instruções de segurança.

► Todas as instruções de segurança devem ser observadas. O fabricante não se responsabiliza por quaisquer danos resultantes do não cumprimento das instruções de segurança!



⚠️ ATENÇÃO Risco de ferimento em função de uso incorreto, por não estar usando o equipamento de proteção individual.

- ▶ Durante o uso, todos os usuários e pessoas nas proximidades devem usar óculos protetores e luvas de segurança para evitar o contato da pele com o material dispensado.
- ▶ O usuário não tem permissão de apontar a saída do cartucho/ponta misturadora na direção de seres vivos ou objetos durante o uso.
- ▶ Observe as instruções de segurança no rótulo do cartucho.



ATENÇÃO Risco de tropeço sobre a mangueira de ar comprimido / em função da ausência de limpeza no local de trabalho!

- ▶ Assegure-se que o local de trabalho esteja limpo e arrumado.
- ▶ Disponha as mangueiras de ar comprimido de modo que não criem um perigo para o operador ou outras pessoas presentes no local.



ATENÇÃO Explosão e perigo de incêndio

- ▶ Nunca utilize o dispositivo próximo a fontes da ignição ou fontes de energia que constituam risco potencial de combustão/explosão.
- O mecanismo de acionamento pneumático (consulte o item 4 na figura **{A}** na página II) nunca deve ser aberto ou removido.
- O dispensador deve ser manuseado com cuidado. O dispensador deve ser armazenado em um local fresco e seco. Consulte "10) Dados técnicos" na página 8. O dispensador deve ser transportado com cuidado. Deve-se evitar impactos ao máximo. Nunca deixe o dispensador cair no chão ou na bancada. Evite pancadas no local de trabalho.
- Não é permitido remover, contornar, pontear ou tirar os dispositivos de segurança de operação quando o dispensador estiver em uso.
- Esteja sempre em conformidade com os sinais de advertência e informação no dispositivo. Estes sinais de advertência e de informação não devem ser removidos jamais. Devem ser imediatamente substituídos caso se soltem ou se tornem ilegíveis.

- A válvula de regulagem da pressão não deve ser nunca removida, modificada ou manipulada. Os limites de pressão devem ser rigorosamente obedecidos.
- Antes da utilização, verifique sempre o dispensador com relação a quaisquer sinais de danos e falhas. Apenas use o dispensador quando ele estiver em condições de ser usado. Se você estiver inseguro sobre a usabilidade do dispensador ou caso seja possível reconhecer sinais de quebra ou de danos, pare de usar o dispositivo imediatamente. Envie o dispositivo para o fabricante para inspeção ou reparo (confira a lista de endereços no final).
- Mantenha sempre o dispensador limpo para evitar falha funcional ou ferimento.
- Nunca tente fazer você mesmo quaisquer reparos ou modificações no dispensador. As manutenções e reparos devem ser executados exclusivamente por pessoal especializado qualificado. Este serviço não deve ser nunca executado quando o dispensador estiver conectado a uma rede de ar comprimido.
- Tome cuidado ao conectar ou remover mangueiras de ar comprimido.
- Devem ser utilizados apenas peças originais da Sulzer Mixpac. Quando utilizar acessórios de outros fabricantes, todos os direitos de garantia junto ao fabricante se tornam inválidos e podem ocorrer mau funcionamento ou acidentes.



Manipulações ou modificações no dispositivo por pessoas não autorizadas pelo fabricante, além de não serem conformes com as instruções de segurança contidas no manual de instruções, são perigosas e podem causar acidentes com ferimento grave e/ou dano a materiais.

Use de acordo com as instruções

O dispensador portátil foi desenvolvido para misturar e dispensar materiais de diversas combinações. O uso de acordo com o objetivo pretendido requer conformidade com as instruções no manual de instruções. As especificações no capítulo ver "10) Dados técnicos" na página 8 aplicam-se como limites vinculativos para o uso e os dados técnicos do dispositivo.

Uso em desacordo com as instruções

Estas incluem:

- Quaisquer aplicações que desviem das aplicações listadas no capítulo «Use de acordo com as instruções».
- Uso do dispositivo sem as instruções apropriadas
- Remoção das placas de advertência no dispositivo
- Manuseio descuidado próximo a fogo aberto ou fontes de energia
- Alterações no dispositivo sem a permissão por escrito do fabricante
- O uso de cartuchos ou peças de reposição de um fabricante diferente sem a permissão por escrito do fabricante



ATENÇÃO Risco de ferimento e acidentes decorrentes de uso em desacordo com o seu uso pretendido

- ▶ O fabricante não é responsável por dano resultante da não observação do seu uso pretendido

3) MATERIAL ENTREGUE

Consulte a figura {C} na página II:

- 0 Dispensador (com suporte do cartucho e êmbolos)
- 13 Manual de instruções

4) RESUMO DO PRODUTO

Consulte as figuras {A} a {I} na página II:

- 1 Guia do cartucho
- 2 Disco do êmbolo*
- 3 Indicador do volume dispensado
- 4 Mecanismo de acionamento pneumático
- 5 Botão da ejeção do cartucho
- 6 Suporte do cartucho*
- 7 Disparador
- 8 Válvula de regulagem da pressão
- 9 Manípulo
- 10 Botão de retração

- 11 Porca de retenção
 - 12 Tampa do bico
 - 13 Manual de instruções
 - 14 Conector do ar comprimido
- * Disponível como peça de reposição

Adesivos com instruções de segurança



Variações / Denominações de modelo

As versões do dispensador DP estão listadas na tabela abaixo:

Modelo	Cilindro Ø	Volume do cartucho	Taxas
DP2X-200	70 mm	200 ml	1:1 / 2:1 /
DP2X-400	100 mm	400 ml	4:1 / 10:1

5) DESCRIÇÃO FUNCIONAL

Consulte as figuras {A} to {I} na página II:

A pressão do ar no circuito pneumático é diminuída pela válvula de regulagem da pressão (8). A pressão do ar aciona o êmbolo do cilindro, que move os êmbolos montados (2) para o interior dos tubos do cartucho e força o material para dentro do misturador estático.

6) PREPARO DO DISPENSADOR PARA O USO

Procedimento

Consulte a figura {A} na página II:

1. Instale o acoplamento de desengate rápido 1/4" NPTF ou BSPPF desejado (não incluso) usando duas chaves inglesas para apertar.
2. Conecte o dispensador à linha de ar comprimido e verifique a conexão com relação ao escape de ar. Se

forem constatados vazamentos, pode ser necessário apertar a conexão.

7) OPERAÇÃO

Introdução do cartucho

Consulte a figura {B} na página II:



⚠ CUIDADO Risco de esmagamento pelo êmbolo em extensão!

1. Sempre empurre o cartucho com taxas de volume diferentes com o volume maior (lado A) para cima para dentro das guias (1), e pressione para baixo até que engate no lugar.

Conecte o dispensador à alimentação de ar comprimido

AVISO Risco de danos devido à alimentação incorreta de ar comprimido!

► Observe a pressão máxima da alimentação de ar comprimido. Consulte 8 na página "10) Dados técnicos".

1. Conecte a mangueira de ar comprimido na entrada de ar comprimido com o acoplamento de desengate rápido.

Nivelamento dos pistões dos cartuchos

Consulte as figuras {D} e {E} na página II:

1. Remova a porca de retenção (11) e a tampa do bico girando-as em 120° no sentido antihorário.
2. Ajuste a válvula de regulagem da pressão (8) na quantidade de descarga menor.
3. Pressione o disparador (7) até que ambos os componentes sejam pressionados de modo homogêneo para fora do cartucho.

Colocação do misturador

Consulte a figura {F} na página II:

1. Ajuste o misturador (a) e mantenha-o no lugar utilizando a porca de retenção na saída do cartucho (b).

Dispensa do material

Consulte as figuras {G} e {H} na página II:

1. Pressione o disparador (7). A dispensa inicia e o indicador vermelho do volume dispensado (3) se move para a frente. Quando o dispensador (7) é solto, a dispensa para.
2. A taxa de vazão do volume dispensado pode ser controlada com a válvula de regulagem da pressão (8).

Remoção do cartucho

Consulte a figura {I} na página II:

1. Solte o disparador (7) e pressione o botão de retração (10) até que os êmbolos tenham se movido até a parada posterior.
2. Usando o botão de ejeção (5) do cartucho, pressione o cartucho para fora do suporte do cartucho e remova-o por cima.



Descarte o cartucho e o misturador de acordo com as instruções do fabricante no adesivo / selante.

Remoção e substituição do suporte do cartucho e dos discos do êmbolo

1. Desconecte o dispensador da alimentação de ar comprimido.
2. Aperte as laterais do suporte do cartucho (6) e remova do dispensador, por cima.
3. Remova e substitua os discos do êmbolo (2) usando chave hexagonal de 4 mm. Um disco do êmbolo menor é instalado na haste inferior mais próxima do manipulador (9).
4. Instale o suporte do cartucho (6) novo em cima do dispensador até que clique. O botão da ejeção do cartucho (5) deve estar o mais próximo possível da guia do cartucho (1).
5. Reconecte a alimentação de ar comprimido.

8) SOLUÇÃO DE PROBLEMAS

Nº	Falha	Causa	Solução
1	Os discos do êmbolo não entram no cartucho	<ul style="list-style-type: none"> • Cartucho não totalmente inserido no suporte do cartucho • Objeto estranho na guia do cartucho • Estão instalados discos do êmbolo com diâmetro errado 	<ul style="list-style-type: none"> • Verifique se o suporte de cartucho correto está instalado e se não está danificado. Empurre o cartucho totalmente para baixo para dentro da guia do cartucho. • Remova o objeto estranho da guia do cartucho (não use ferramentas afiadas). • Verifique se os discos do êmbolo têm o diâmetro correto. Troque os discos do êmbolo, se necessário.
2	Não é possível remover o cartucho do dispensador	<ul style="list-style-type: none"> • Os discos do êmbolo ainda se encontram no interior do cartucho 	<ul style="list-style-type: none"> • Retraia totalmente os êmbolos usando o botão de retração (verifique o indicador do volume dispensado).
3	Dispensa é interrompida	<ul style="list-style-type: none"> • A alimentação de ar comprimido foi interrompida 	<ul style="list-style-type: none"> • Verifique a pressão da alimentação de ar comprimido. Verifique a conexão do dispensador.
4	Não é possível descarregar material	<ul style="list-style-type: none"> • O material endureceu no misturador • Pressão não é alta o suficiente 	<ul style="list-style-type: none"> • Substitua o misturador. Consulte o tempo de abertura do misturador na ficha de dados técnicos dos materiais a serem dispensados. • Aumente gradualmente a pressão girando a válvula de regulagem da pressão.
5	Ruído de ar vazando	<ul style="list-style-type: none"> • Pressão de entrada alta demais - válvula de segurança purgando • Vazamento na conexão de ar comprimido • Vazamento no manípulo 	<ul style="list-style-type: none"> • Verifique e reduza a pressão de entrada para adequar o nível. • Verifique e aperte o adaptador. • Se a causa do vazamento de ar for no interior do manípulo, envie o dispositivo para o fabricante ou para um serviço de assistência autorizado para que seja inspecionado.
6	Velocidade de dispensa irregular	<ul style="list-style-type: none"> • Objeto estranho no mecanismo de acionamento / vedação danificada 	<ul style="list-style-type: none"> • Envie o dispositivo para o fabricante ou para um serviço de assistência autorizado para que seja inspecionado (nunca use solventes para limpar o percurso do ar).

9) MANUTENÇÃO E REPARO

Avisos



Toda a manutenção e todos os reparos apenas devem ser executados por instalações autorizadas pelo fabricante e exclusivamente por pessoal qualificado e apropriadamente treinado (consulte a lista de endereços no final).



⚠️ATENÇÃO Risco de ferimento em função da atuação acidental do dispensador e/ou componentes arremessados do dispositivo!

▶ Sempre desconecte a alimentação de ar comprimido do dispensador durante a manutenção.



⚠️CUIDADO Risco de ferimento devido a manutenção e reparo incorretos!

▶ O mecanismo de acionamento pneumático (consulte o item 4 na figura **{A}** na página II) nunca deve ser aberto. Se for necessária assistência ou reparo do mecanismo de acionamento pneumático, entre em contato com um centro de assistência Sulzer-Mixpac autorizado /consulte a lista de endereços no final).

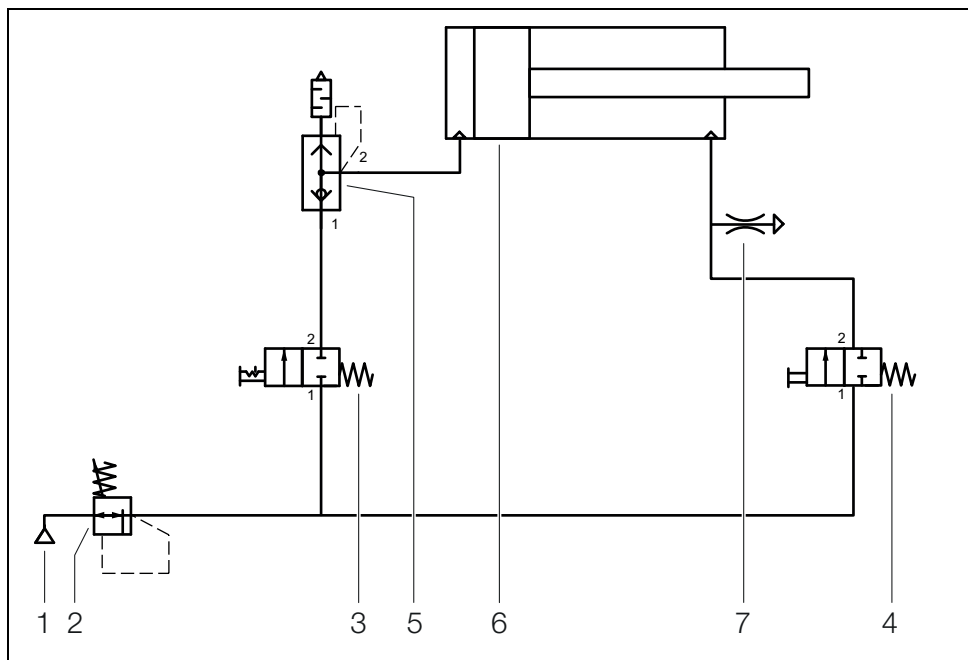
AVISO Risco de danos devido à manutenção e limpeza incorretas!

▶ Mantenha o dispensador sempre limpo.
▶ Nunca use agentes de limpeza corrosivos para limpar a superfície do dispositivo (não utilize produtos que contenham silicone).

10) DADOS TÉCNICOS

Pressão de funcionamento	680 kPa (6.8 bar) (98 psi) máx.
Alimentação de ar comprimido	1000 kPa (10 bar) 145 PSI
Qualidade do ar comprimido	ISO 8573-1:2010 [2:4:2]
Nível sonoro	83 dB
Temperatura de funcionamento recomendada	+5°C a +40°C
Umidade relativa do ar	30% a 80% RH (sem condensação)
Temperatura do transporte e do armazenamento	0°C a +40°C
Ajuste da pressão	variável infinitamente
Peso	DP2X-200: 1,7 kg DP2X-400: 2,5 kg

11) DIAGRAMA PNEUMÁTICO



- 1 Alimentação de ar comprimido máx. 1000 kPa
- 2 Válvula de regulação 680 kPa
- 3 Botão de pressão, avanço cilindro
- 4 Botão de pressão, retorno cilindro
- 5 Exaustão rápida com silencioso (integrado no cilindro)
- 6 Mecanismo de acionamento pneumático
- 7 Vazamentos

目录

1) 基本说明	2	10) 技术数据	7
适用标准	2	11) 气动图	8
版权所有	2		
质量保证	2		
型号铭牌和 CE 标识	2		
其他系统文档	2		
2) 安全规程	2		
使用说明书中的符号	2		
必须严格遵守以下安全说明	3		
遵照说明使用	4		
未遵照说明使用	4		
3) 交货范围	4		
4) 产品概览	4		
安全说明贴纸	4		
变体/机型名称	4		
5) 功能说明	5		
6) 胶枪使用的准备	5		
程序	5		
7) 运行	5		
装入料筒	5		
将胶枪连接到压缩空气供给管路	5		
调平料筒活塞	5		
装配混合器	5		
挤出材料	5		
拆卸料筒	5		
拆卸和更换料筒衬套和柱塞盘 从压缩空	5		
8) 故障排除	6		
9) 维护和修理	7		
注意	7		

1) 基本说明

原始使用说明书用英文编写。其他语言基于原始版本。

适用标准

- 2006/42/EC：机械指令
- EN ISO 12100:2010
机械安全—设计的一般原则—风险评估和降低风险
- EN ISO 4414:2010
气动流体动力—系统及其安全性的一般规则和安全要求

版权所有

保留所有权利。未经制造商事先书面许可，不得部分或完整复制本手册，也不得以电子形式重制本手册。

质量保证

自胶枪交货之日起，制造商提供 24 个月的质量保证。质量保证不包括易损件。对设备的修改以及修理和检修工作只可由制造商或其服务合作伙伴来执行，否则保修和责任索赔将失效。


型号铭牌和 CE 标识




其他系统文档

您可在我们的网站 www.sulzer.com 找到附加信息。


2) 安全规程

 确保用户始终可方便获取使用说明书。

我们保留由于技术修改而作出变更的权利。

 请仔细阅读本使用说明书！仅当用户熟悉并遵守本使用说明书中的所有安全规程时，才能保证正常运行和操作安全。

使用说明书中的符号

符号	含义
	信息 与装配、运行或维护有关的信息。
	潜在危险状况。如果不能避免此危险，会导致死亡或非常严重的不可逆损伤。
	潜在危险状况。如果不能避免此危险，会导致轻微的不可逆损伤。
	会对设备造成损坏的状况。
	一般危险状况。
	爆炸危险
	可能存在明火危险
	可能存在部件飞溅危险。
	可能存在切伤手指或整只手部的危险。

符号	含义
	使用本产品前，请务必阅读说明书。
	可能存在打开设备造成的危险。切勿打开设备；用于维护和修理工作。
	使用胶枪的人员必须在设备操作期间戴上防护手套。
	在使用期间以及在设备附近时需佩戴护目镜 使用该胶枪期间，该胶枪的操作者以及在附近停留的任何人员必须佩戴防护眼镜。如未能遵守，会导致重伤
	CE 胶枪带有符合相应欧洲指令的CE标志。
	能够回收利用。



以下一般安全说明告诉您，即使依照说明使用设备仍可能存在残留危险或可能由于意外引起的危险。

- A – 标准用途
- B – 特殊用途
- C – 当地要求
- D – 意外问题

此外，还必须遵守在相应状况下直接给出的特殊安全说明。

此外，必须遵守在运行场所适用的与事故预防 and 环境保护有关的当地管理法规。

在阅读并理解本使用说明书中包含的操作顺序和说明之前，不得使用胶枪。该设备在高压下工作，参见页面上的“10) 技术数据”#7。

如果未遵守这些说明，胶枪会意外排出高压，或者胶枪可能会爆炸，导致用户或附近人员严重受伤和设备损坏。

必须严格遵守以下安全说明：



警告 如果未遵守安全规程，会引起受伤风险和事故

▶ 必须遵守所有安全规程；对于因未遵守安全规程导致的任何损坏，制造商概不负责！



警告 由于不正确使用、未穿戴个人防护装备而引起的受伤风险。

▶ 在使用过程中，所有用户及附近的所有人员都必须穿戴防护眼镜和防护手套以防止皮肤与挤出的材料接触。

▶ 在使用时不允许用户将料筒出口/混合尖端指向生物或物体。

▶ 遵守料筒标签上的安全说明。



警告 由于未及时清洁工作场所而导致被压缩空气软管绊倒的风险！

▶ 始终确保工作场所干净和整洁。

▶ 妥当地放置压缩空气软管，以使它们不会对操作员或旁观者造成绊倒危险。



警告 爆炸和火灾危险

▶ 绝不能在具有潜在燃烧/爆炸风险的火源或能量源附近使用设备。



▶ 气动驱动装置（请参阅第 11 页图 {A} 中的项 4）绝不能打开或拆卸。

- 胶枪必须谨慎处理。胶枪必须存放在凉爽、干燥的地方。参考“10) 技术数据”#7。胶枪必须谨慎运输。应尽可能避免冲击。绝不能让胶枪掉落在地板或工作台上。防止在工作场所发生碰撞。
- 在使用胶枪时，不允许拆除、绕开、桥接或使安全设备停止运行。
- 始终遵守设备上的警告和信息标志。绝不能去除这些警告和信息标志。如果这些标志脱离或难以辨认，必须立即更换。
- 集成压力调节阀绝不能拆除、修改或篡改调压阀。必须严格遵循压力限制。
- 在使用之前，始终检查胶枪是否存在任何明显的损坏迹象。仅当胶枪处于可用状态时才可使用它。如果您不确定胶枪是否可用或如果出现破损迹象或其他损坏变得明

显，请立即停止使用设备。将设备送往制造商进行检测和修理（请参阅背面的地址列表）。

- 始终使胶枪保持清洁以防止出现功能性故障或受伤。
- 绝不能自行尝试对胶枪进行任何修理或修改。维护和修理只能由合格的专业人员执行。当胶枪连接到压缩空气供给管路时绝对不能执行此项工作。
- 在连接和拆卸压缩空气软管时要小心。
- 只能使用苏尔寿的 Mixpac 原装配件。在使用其他制造商的配件时，针对制造商的所有保修权利都将失效，且可能会发生失灵或事故。



由未获制造商授权的人员以及在不遵守使用说明书所包含安全规程的情况下对设备进行操控或修改会非常危险，且会造成重伤和

/或材料损坏等事故。

遵照说明使用

该手持式胶枪为了混合和挤出各种组合材料而开发。依照预期用途使用需要遵守使用说明书中的说明。第 参见页面上的 "10) 技术数据" #7 章中的规格当作有约束力的使用限制和设备的技术数据。

未遵照说明使用

这些包括：

- 与第《遵照说明使用》章中所列应用有所偏差的任何应用。
- 未遵照适用说明来使用设备
- 去除设备上的警告牌
- 在明火或能量源附近草率地处理
- 未经制造商书面许可可对设备作出更改
- 未经制造商书面同意就使用另一家制造商的料筒或备件



警告 用于非预期用途时所引起的受伤风险和事故

► 对于因未遵照预期用途而导致的损坏，制造商概不负责

3) 交货范围

请参阅第 II 页上的图 {C}：

- 0 胶枪 (配备料筒衬套和柱塞)
- 13 使用说明书

4) 产品概览

请参阅第 II 页上的图 {A} 至 {I}：

- 1 料筒导向器
- 2 柱塞阀瓣*
- 3 胶量指示器
- 4 气动驱动装置
- 5 料筒喷射按钮
- 6 料筒衬套*
- 7 排放杆
- 8 调压阀
- 9 手柄
- 10 缩回按钮
- 11 锁紧螺母
- 12 芯部伸出的火花塞
- 13 使用说明书
- 14 压缩空气连接
- * 作为备件提供

安全说明贴纸



变体/机型名称

DP 胶枪的版本在下表中列出：

类型	缸筒直径	料筒容积	比率
DP2X-200	70 mm	200 ml	1:1 / 2:1
DP2X-400	100 mm	400 ml	/ 4:1 / 10:1

5) 功能说明

请参阅第 II 页上的图 {A} 至 {I}：

气动回路中空气压力由调压阀 (8) 来降低。气压驱动气缸活塞，气缸活塞将安装好的柱塞 (2) 移入料筒管，并迫使物料进入静态混合器。

6) 胶枪使用的准备

程序


请参阅第 II 页上的图 {A}：

1. 使用两个扳手拧紧，安装所需的 1/4" NPTF 或 BSPPF 快卸接头(不包括)。
2. 将胶枪连接到压缩空气管路，并验证连接是否漏气。

7) 运行

装入料筒

请参阅第 II 页上的图 {B}：

 **小心** 凸出的柱塞引起的挤压危险！

1. 在推入具有不同容积比的料筒时，始终将较高容量 (A 侧) 向上推入导向器 (1)，然后向下按，直至它锁定到位。

将胶枪连接到压缩空气供给管路

注意 压缩空气供给管路连接不正确会发生损坏风险！

► 遵守压缩空气供给管路的最大供给压力。请参阅第 7 页上的第 "10) 技术数据" 章。

1. 使用快卸接头将压缩空气软管连接到压缩空气进口。

调平料筒活塞

请参阅第 II 页上的图 {D} 和 {E}：

1. 逆时针转动 120°，拆下固定螺母 (11) 和芯部伸出的火花塞。
2. 将调压阀 (8) 设置为最低排放量。

3. 按下排放杆 (7)，直至两种组份均匀地从料筒中压出。

装配混合器

请参阅第 II 页上的图 {F}：

1. 安装混合器 (a) 并使用固定螺母固定到料筒出口 (b) 的适合位置。

挤出材料


请参阅第 II 页上的图 {G} 和 {H}：

1. 按下排放杆 (7)。挤出开始，红色胶量指示器 (3) 向前移动。当排放杆 (7) 松开时，挤出停止。
2. 挤出量流量可使用调压阀 (8) 进行控制：

拆卸料筒

请参阅第 II 页上的图 {I}：

1. 松开排放杆 (7) 并按缩回按钮 (10)，直至柱塞移动至后部挡块。
2. 使用料筒喷射器按钮 (5)，将料筒从料筒衬套中压出，向上拆除料筒。

 按照粘合剂/密封剂制造商的说明处理料筒和混合器。

拆卸和更换料筒衬套和柱塞盘从压缩空气

1. 气源上断开胶枪。
2. 挤压料筒衬套 (6) 的侧面，并从胶枪顶部拆下。
3. 用 4 mm 六角扳手拆卸和更换柱塞盘 (2)。较小的柱塞盘安装在最靠近手柄 (9) 的下手柄上。
4. 从胶枪顶部安装新的料筒衬套 (6)，直到卡嗒一声。料筒弹出按钮 (5) 应最靠近料筒导轨 (1)。
5. 重新连接压缩空气供给。

8) 故障排除

编号	故障	原因	补救措施
1	柱塞阀瓣不能进入料筒	<ul style="list-style-type: none"> 料筒未完全插入料筒衬套中 料筒导轨中有异物 安装的柱塞阀瓣直径错误 	<ul style="list-style-type: none"> 检查是否安装了正确的料筒衬套并且没有损坏。将料筒完全推入料筒套筒。 清除料筒导轨上的异物(不要使用锋利的工具)。 检查柱塞阀瓣的正确直径。如有必要，更换柱塞阀瓣。
2	无法从胶枪中取出料筒	<ul style="list-style-type: none"> 柱塞阀瓣仍处于料筒内的位置 	<ul style="list-style-type: none"> 使用缩回按钮(检查分配体积指示器)完全缩回柱塞。
3	挤出中断	<ul style="list-style-type: none"> 压缩空气供给中断 	<ul style="list-style-type: none"> 检查压缩空气供给压力。检查与胶枪的连接。
4	不能卸料	<ul style="list-style-type: none"> 材料在混合物中固化 压力不足 	<ul style="list-style-type: none"> 更换混合器。处置材料的技术参数表中，请参阅开混时间。 通过旋转压力调节阀逐渐增加压力。
5	空气泄漏噪声	<ul style="list-style-type: none"> 进口压力过高-安全阀吹掉 压缩空气接头泄露 泄漏处理 	<ul style="list-style-type: none"> 检查并将进口压力降低到适当的水平。 检查并拧紧适配器。 如果漏风的源头在手柄内部，请将设备送到厂家或授权的服务站进行检查。
6	不均匀分配速度	<ul style="list-style-type: none"> 传动装置内异物/密封件损坏 	<ul style="list-style-type: none"> 将设备送到制造商或授权的服务站进行检查(切勿使用溶剂清洁空气路径)。

9) 维护和修理

注意



所有维护和修理都只能在制造商授权的场所专门由合格和经过适当培训的人员（请参阅背面的地址列表）来执行。



警告 由于胶枪意外开动和/或设备的活动部件引起的受伤风险！

► 在维护过程中，应始终从胶枪上断开压缩空气供给管路。



小心 不正确维护和修理会引起受伤风险！

► 气动驱动装置(参考项目4 在第 II 页图 {A} 中)可能永远不会打开。如果必须检修或修理气动驱动装置，请联系 Sulzer-Mixpac 授权服务中心（参阅背面的地址列表）。

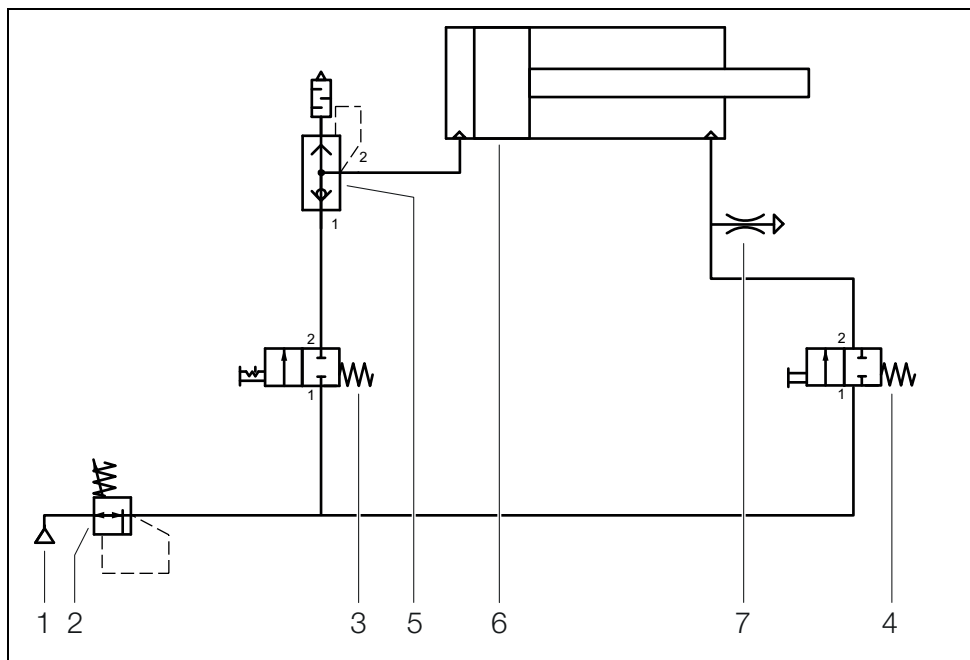
注意 不正确维护和清洁会引起损坏风险！

- 始终使胶枪保持清洁。
- 绝不能使用任何腐蚀性清洁剂来清洁设备表面（请勿使用含有硅树脂的产品）。

10) 技术数据

工作压力	最大 680 kPa (6.8 bar) (98 psi)
压缩空气供给	1000 kPa (10 bar) 145 PSI
压缩空气质量	ISO 8573-1:2010 [2:4:2]
声级	83 dB
建议的工作温度	+5°C 至 +40°C
空气相对湿度	30% 至 80% RH (非冷凝)
运输和存放温度	0°C 至 +40°C
压力调节	无穷变量
重量	DP2X-200: 1.7 kg DP2X-400: 2.5 kg

11) 气动图



- 1 压缩空气供给最大 1000 kPa
- 2 调节阀 680 kPa
- 3 推动开关，缸筒向前
- 4 推动开关，缸筒向后
- 5 带消音器的快排装置（整合到缸筒中）
- 6 气动驱动装置
- 7 泄漏

DECLARATION OF CONFORMITY (EN)

Sulzer Mixpac UK Ltd.

1 Tealgate, Charnham Park
Hungerford, Berkshire,
RG17 0YT, United Kingdom
T: +44 (0) 1488 647800
E: coxsales@sulzer.com

SULZER

Declaration of Conformity

This is to declare that the following
Pneumatic Dispenser models:-

Mixpac™ DP2X 200

Mixpac™ DP2X 400

Manufactured by Sulzer Mixpac UK Ltd
are in compliance with the following Directive(s) and Harmonised Standard(s):

The Machinery Directive 2006/42/EC

Applied Standards:

EN ISO 12100:2010

Safety of machinery – general principles for design – risk assessment and risk reduction

EN ISO 4414:2010

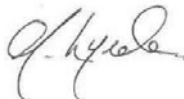
Pneumatic fluid power – General rules & safety requirements for systems and their components

On behalf of Sulzer Mixpac UK Ltd

Hungerford, UK (Sep 2019)



L. Quinn
General Manager



M. Lyndon
Head of Engineering



DOC 1P27047_A

KONFORMITÄTSERKLÄRUNG (DE)

Sulzer Mixpac UK Ltd.

1 Tealgate, Charnham Park
Hungerford, Berkshire,
RG17 0YT, Grossbritannien
Tel.: +44 (0) 1488 647800
E-Mail: coxsales@sulzer.com

SULZER

Konformitätserklärung

Hiermit erklären wir, dass die nachstehend bezeichneten
pneumatischen Austraggeräte:

Mixpac™ DP2X 200

Mixpac™ DP2X 400

hergestellt von Sulzer Mixpac UK Ltd
die folgenden Richtlinien und harmonisierten Standards erfüllen:

Maschinenrichtlinie 2006/42/EC

Angewandte Normen:

EN ISO 12100:2010

Sicherheit von Maschinen – allgemeine Gestaltungsleitsätze – Risikobeurteilung und Risikominderung

EN ISO 4414:2010

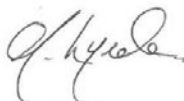
Fluidtechnik – Allgemeine Regeln und sicherheitstechnische Anforderungen an Pneumatikanlagen und deren Bauteile

Unterzeichnet für und im Namen von Sulzer Mixpac UK Ltd

Hungerford, UK (Sep 2019)



L. Quinn
General Manager



M. Lyndon
Head of Engineering



DOK 1P27047_A

DÉCLARATION DE CONFORMITÉ (FR)

Sulzer Mixpac UK Ltd.
1 Tealgate, Charnham Park
Hungerford, Berkshire,
RG17 0YT, Royaume-Uni
Tél.: +44 (0) 1488 647800
E-mail: coxsales@sulzer.com

SULZER

Déclaration de conformité

Par la présente, nous déclarons que
les modèles de distributeur pneumatique ci-après:

Mixpac™ DP2X 200
Mixpac™ DP2X 400

fabriqués par Sulzer Mixpac UK Ltd
sont conformes à la directive et aux normes harmonisées ci-après:

Directive relative aux machines 2006/42/CE

Normes appliquées:

EN ISO 12100:2010

Sécurité des machines – Principes généraux de conception – Appréciation du risque et réduction du risque

EN ISO 4414:2010

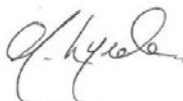
Transmissions pneumatiques – Règles générales et exigences de sécurité pour les systèmes et leurs composants

Pour le compte de Sulzer Mixpac UK Ltd

Hungerford, Royaume-Uni (septembre 2019)



L. Quinn
Directeur général



M. Lyndon
Responsable de l'ingénierie



DOC 1P27047_A

DICHIARAZIONE DI CONFORMITÀ (IT)

Sulzer Mixpac UK Ltd.

1 Tealgate, Charnham Park
Hungerford, Berkshire,
RG17 0YT, Regno Unito
T: +44 (0) 1488 647800
E: coxsales@sulzer.com

SULZER

Dichiarazione di conformità

Con la presente si dichiara che i seguenti
modelli di erogatore pneumatico:

Mixpac™ DP2X 200

Mixpac™ DP2X 400

fabbricati da Sulzer Mixpac UK Ltd
sono conformi alla/e seguente/i direttiva/e e norma/e armonizzata/e:

Direttiva Macchine 2006/42/CE

Standard applicati:

EN ISO 12100:2010

Sicurezza del macchinario – Principi generali di progettazione – Valutazione del rischio e riduzione del rischio

EN ISO 4414:2010

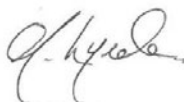
Pneumatica – Regole generali e requisiti di sicurezza per i sistemi e i loro componenti

Per conto di Sulzer Mixpac UK Ltd

Hungerford, UK (set 2019)



L. Quinn
Direttore Generale



M. Lyndon
Responsabile Progettazione



DOC 1P27047_A

DECLARACIÓN DE CONFORMIDAD (ES)

Sulzer Mixpac UK Ltd.
1 Tealgate, Charnham Park
Hungerford, Berkshire,
RG17 0YT, Reino Unido
T: +44 (0) 1488 647800
E: coxsales@sulzer.com

SULZER

Declaración de conformidad

Con esto se declara que los siguientes modelos
de dispensador neumático:-

Mixpac™ DP2X 200
Mixpac™ DP2X 400

Fabricados por Sulzer Mixpac UK Ltd
cumplen las siguientes Directiva(s) y Norma(s) armonizadas:

Directiva de Máquinas 2006/42/CE

Normas aplicadas:

EN ISO 12100:2010

Seguridad de las máquinas. Principios generales para el diseño. Evaluación del riesgo y reducción del riesgo.

EN ISO 4414:2010

EN ISO 4414:2010 Transmisiones neumáticas. Reglas generales y requisitos de seguridad para los sistemas y sus componentes.

En nombre de Sulzer Mixpac UK Ltd

Hungerford, UK (Sep 2019)



Director General



Jefe de Ingeniería



DOC 1P27047_A

DECLARAÇÃO DE CONFORMIDADE (PT)

Sulzer Mixpac UK Ltd.

1 Tealgate, Charnham Park
Hungerford, Berkshire,
RG17 0YT, Reino Unido
T: +44 (0) 1488 647800
E: coxsales@sulzer.com

SULZER

Declaração de Conformidade

Através desta declaramos que os
modelos de Dispensador Pneumático abaixo:-

Mixpac™ DP2X 200

Mixpac™ DP2X 400

fabricados pela Sulzer Mixpac UK Ltd
estão em conformidade com a(s) Diretriz(es) e Norma(s) Harmonizada(s)

Diretriz das Máquinas 2006/42/EC

Normas aplicadas:

EN ISO 12100:2010

Segurança de máquinas – princípios gerais para projeto – avaliação e redução de riscos

EN ISO 4414:2010

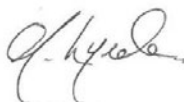
Potência de fluido pneumático -- Regras gerais e requisitos de segurança para sistemas e seus componentes

Em nome da Sulzer Mixpac UK Ltd

Hungerford, UK (set 2019)



L. Quinn
Gerente Geral



M. Lyndon
Chefe da Engenharia



DOC 1P27047_A

符合性声明 (ZH)

苏尔寿 Mixpac 英国有限公司

RG17 0YT, 英国

伯克郡亨格福德

查纳姆公园 Tealgate 街 1 号

电话: +44 (0) 1488 647800

邮箱: coxsales@sulzer.com

SULZER

符合性声明

特此声明如下

由苏尔寿 Mixpac 英国有限公司制造的气动自动售货机型号: -

Mixpac™ DP2X 200

Mixpac™ DP2X 400

符合下列指令及协调标准:

机械指令 2006/42/EC

应用标准:

EN ISO 12100:2010

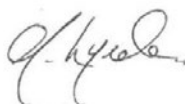
机械安全 - 设计通则 - 风险评估和风险控制

EN ISO 4414:2010

气压传动 - 系统及其部件的一般规则和安全要求

苏尔寿 Mixpac 英国有限公司代表

英国亨格福德 (2019 年 9 月)



奎因 (L. Quinn) 林登 (M. Lyndon)

总经理 工程主管



DOC 1P27047_A

Sulzer Mixpac Ltd

Ruetistrasse 7
9469 Haag
Switzerland
Phone +41 81 772 20 00
Email: mixpac@sulzer.com
Website: www.sulzer.com

Sulzer Mixpac USA, Inc.

8 Willow st.
Salem, NH 03079
USA
Phone: +1 603-893-2727
Email: mixpacusa@sulzer.com
Website: www.sulzer.com

Sulzer Mixpac (UK) Ltd.

1 Tealgate, Charnham Park
Hungerford, Berkshire
RG17 0YT
United Kingdom
Phone: +44 (0)1488 647 800
Email: coxsales@sulzer.com
Website: www.coxdispensers.com

Sulzer Mixpac China

68 BeiDou Road, Minhang
District
Shanghai 200245
P.R. China
Phone: +86 (21) 6430 6868
Email: mixpac@sulzer.com
Website: www.sulzer.com